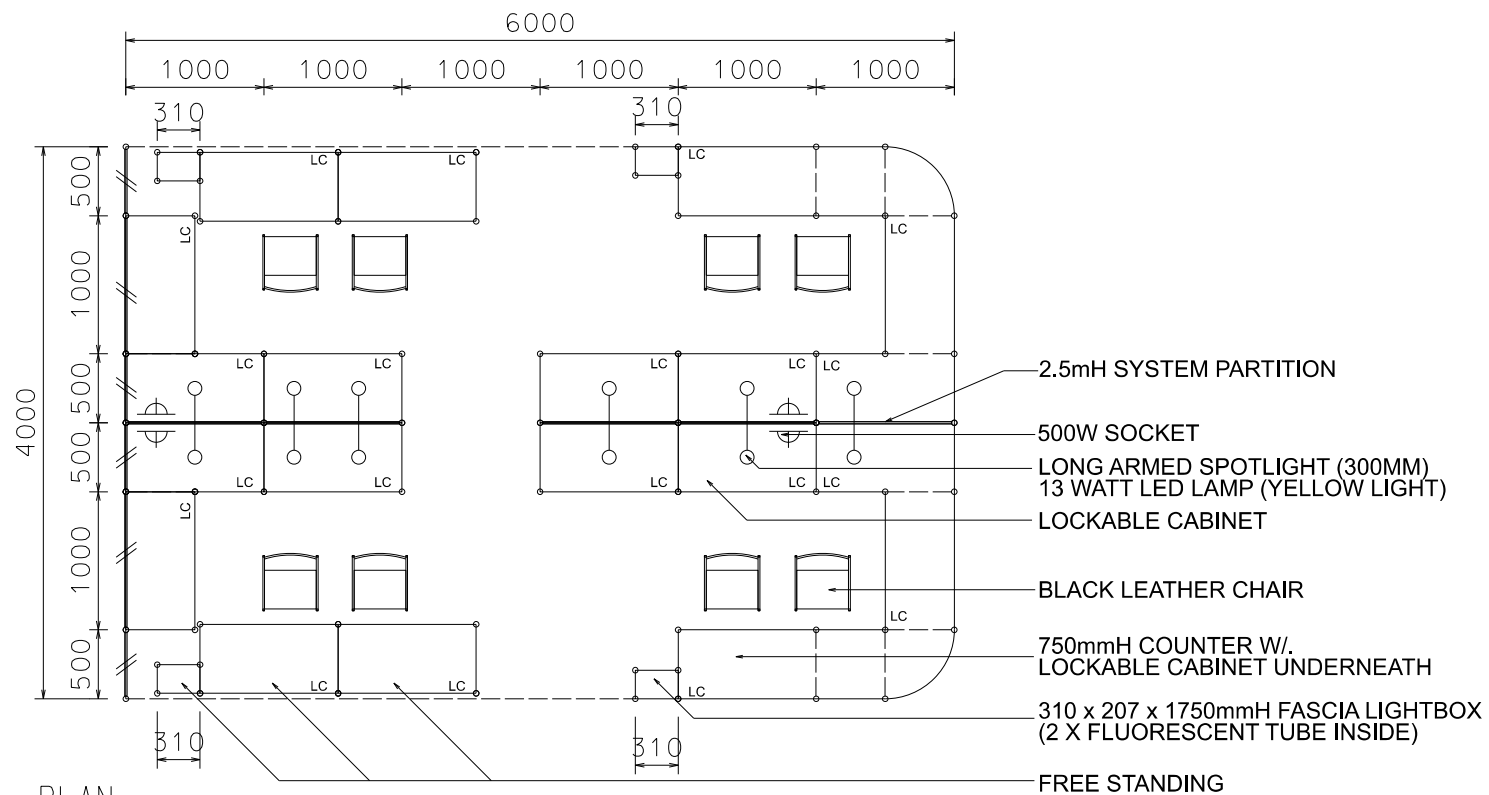
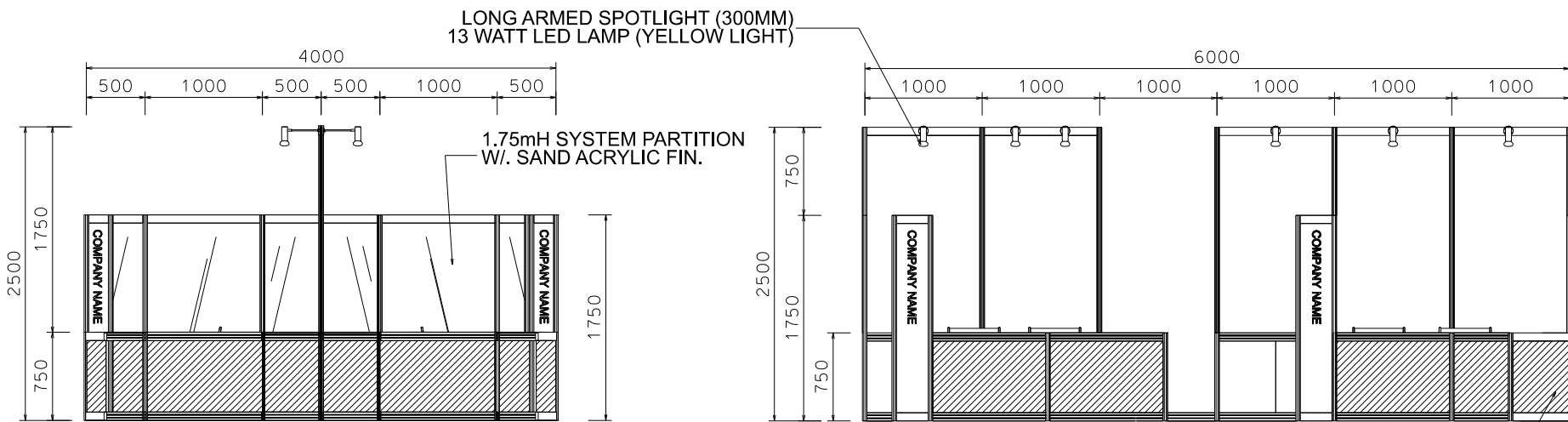


6M x 4M GOURMET ZONE PENINSULA BOOTH (OPTION A)

六米乘四米半島攤位

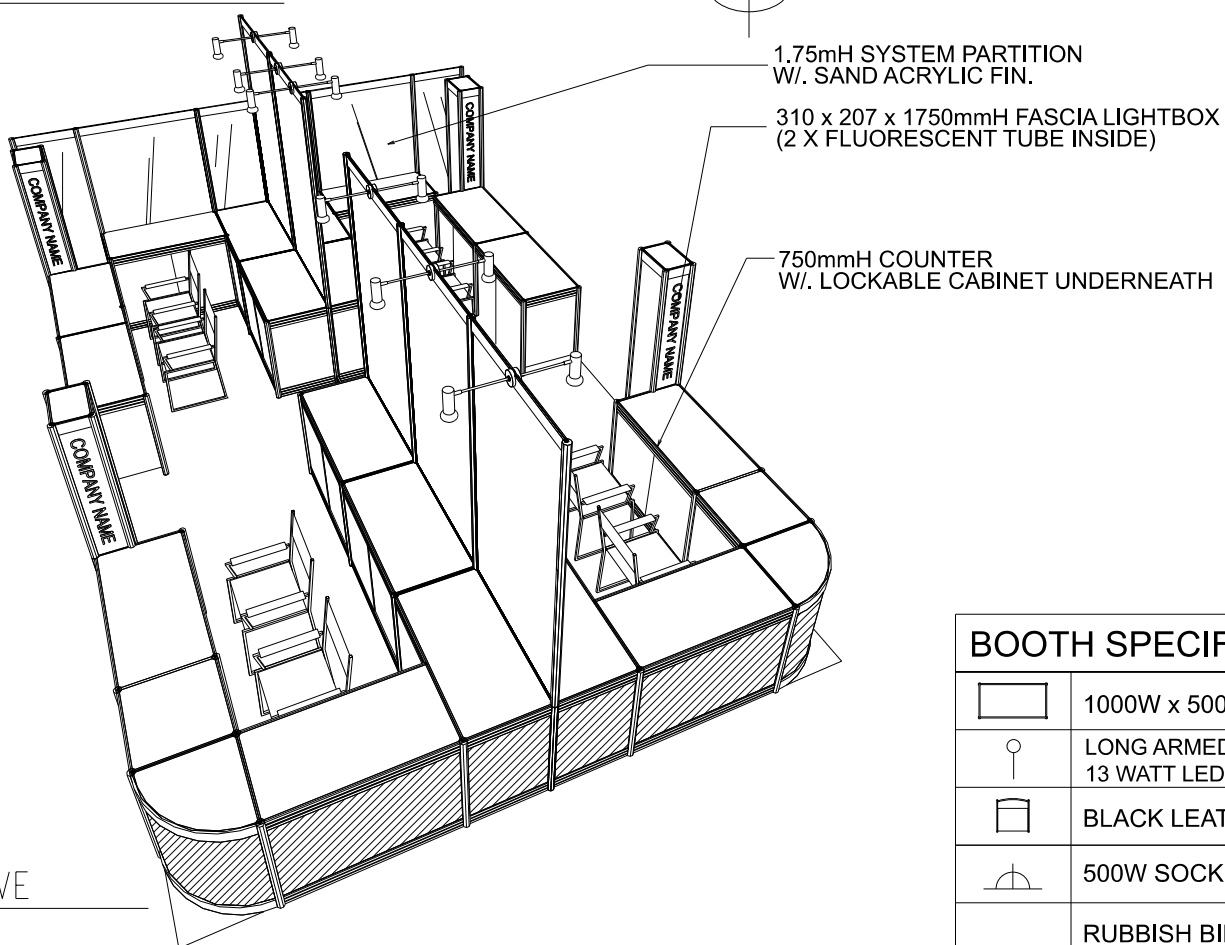


PLAN



SIDE VIEW

ELEVATION



PERSPECTIVE

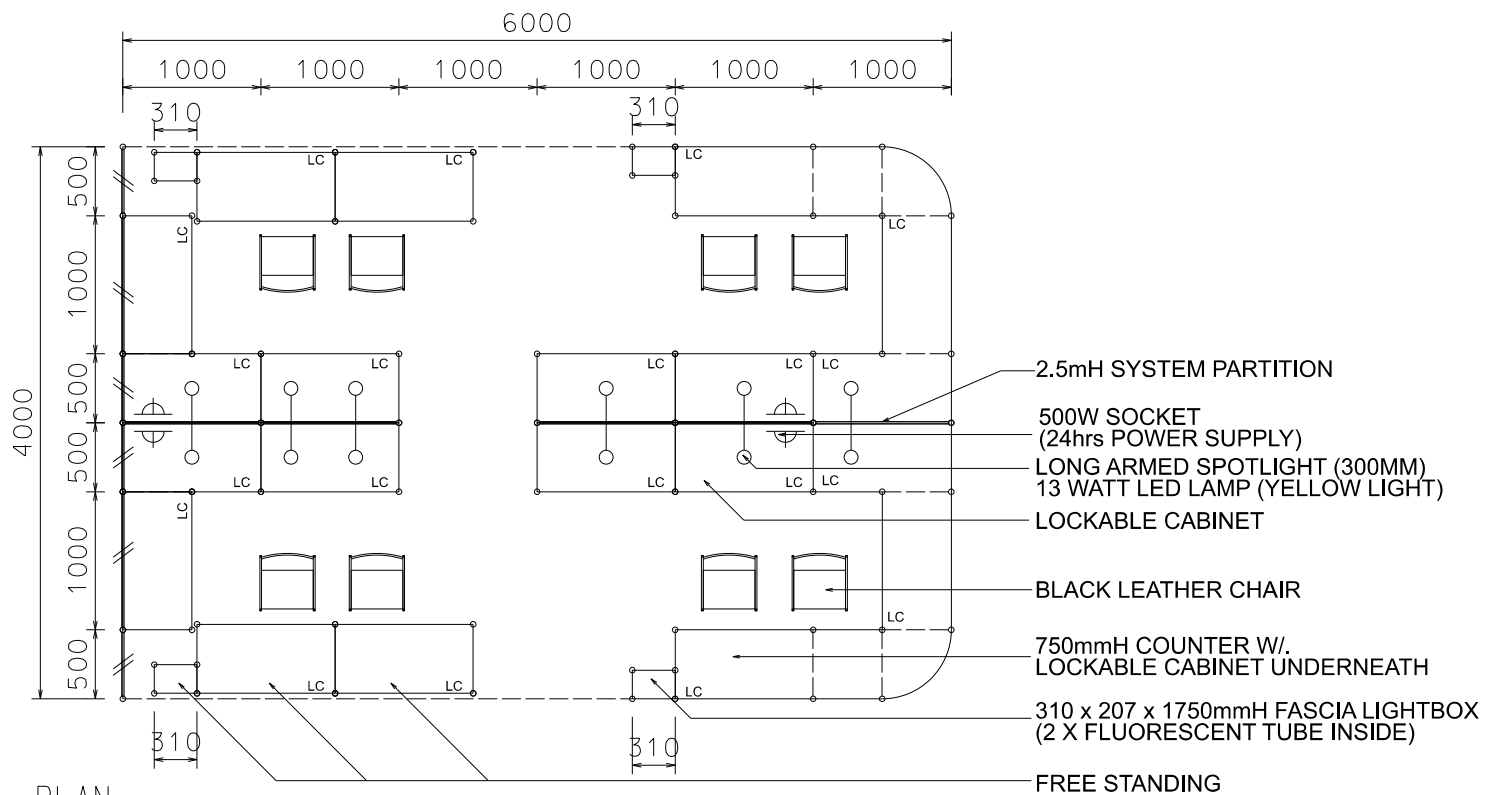
BOOTH SPECIFICATIONS		QTY.
	1000W x 500D x 750H CABINET	22
	LONG ARMED SPOTLIGHT (300MM) 13 WATT LED LAMP (YELLOW LIGHT)	12
	BLACK LEATHER CHAIR	8
	500W SOCKET	4
	RUBBISH BIN & CARPET (24sqm.)	

*The Hong Kong Trade Development Council reserves the right to change the configuration if necessary.

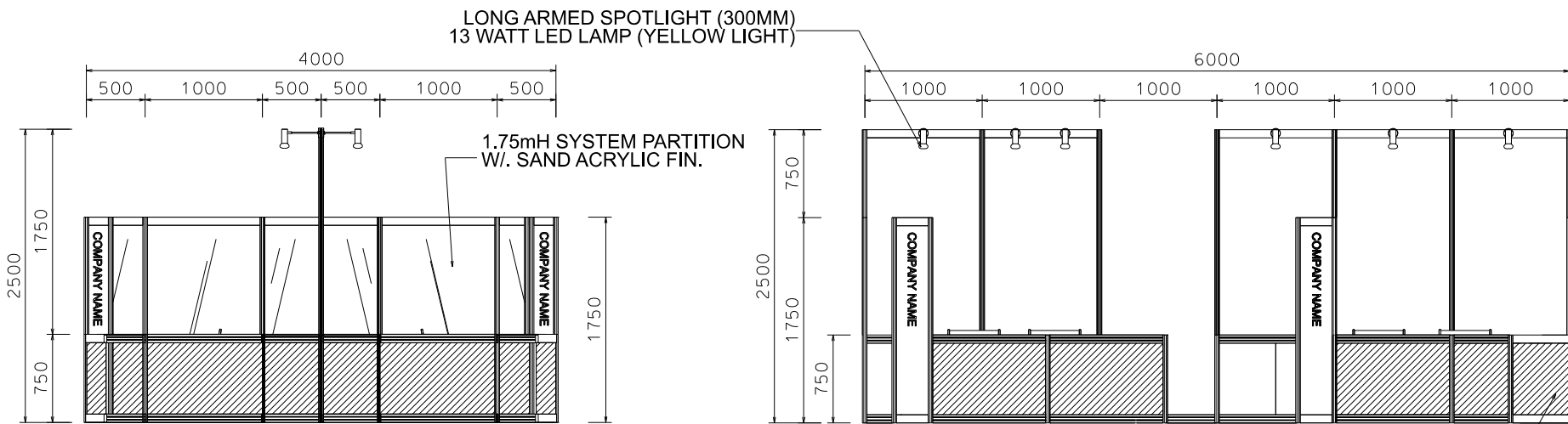
*如有需要，香港貿易發展局保留更改攤位結構之權利。

6M x 4M GOURMET ZONE PENINSULA BOOTH (OPTION B)

六米乘四米半島攤位



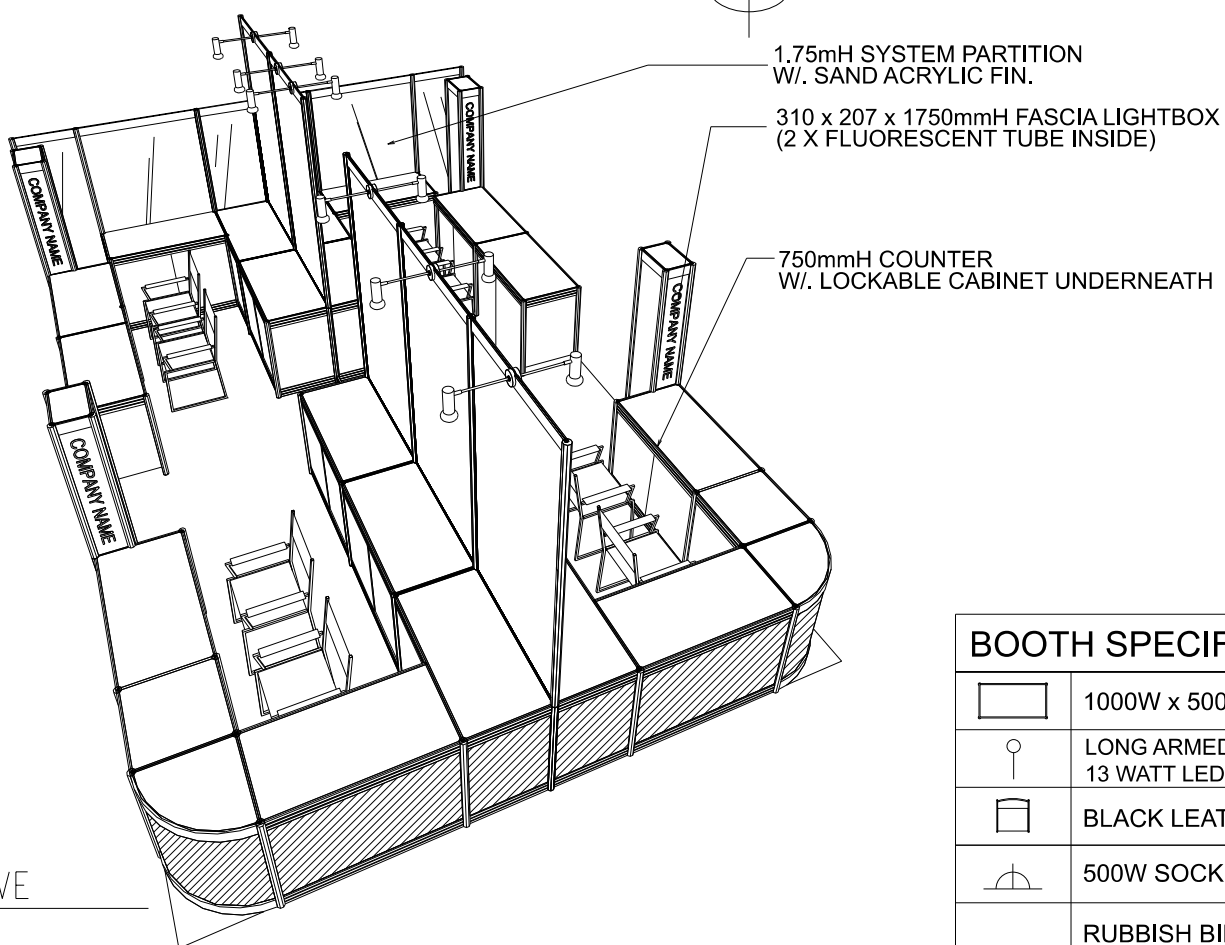
PLAN



SIDE VIEW

ELEVATION

DIGITAL PRINT GRAPHIC ON FOREX PANEL



PERSPECTIVE

BOOTH SPECIFICATIONS		QTY.
	1000W x 500D x 750H CABINET	22
	LONG ARMED SPOTLIGHT (300MM) 13 WATT LED LAMP (YELLOW LIGHT)	12
	BLACK LEATHER CHAIR	8
	500W SOCKET (24hrs POWER SUPPLY)	4
	RUBBISH BIN & CARPET (24sqm.)	

*The Hong Kong Trade Development Council reserves the right to change the configuration if necessary.

*如有需要，請向本局查詢有關攤位結構。