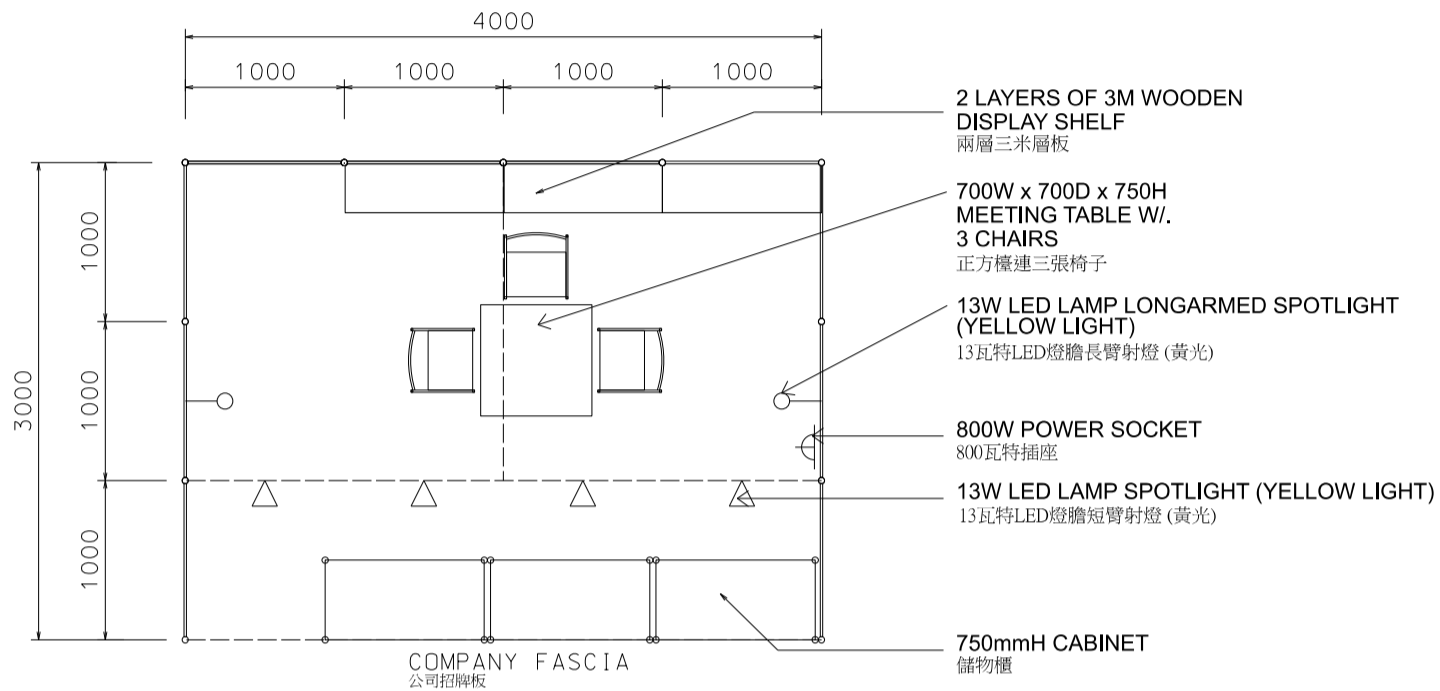


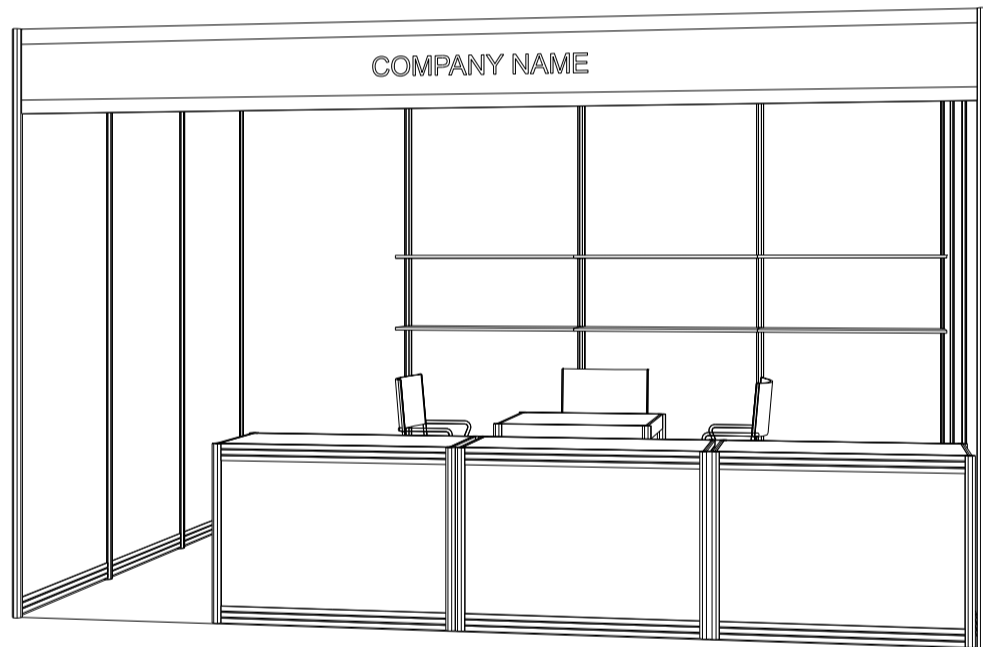
(FOR PUBLIC HALL EXHIBITORS ONLY 只供公眾館參展商選用)

**4M x 3M Standard Booth**

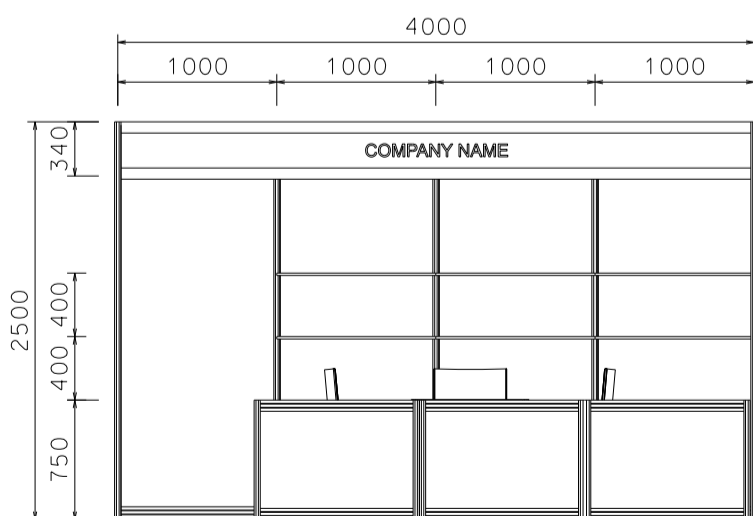
四米乘三米標準攤位



PLAN  
平面圖



PERSPECTIVE  
透視圖



ELEVATION  
正面圖

BOOTH SPECIFICATIONS		QTY.
	1000W x 500D x 750H CABINET 儲物櫃	3
	3000W x 300D WOODEN DISPLAY SHELF 陳列架	2
	700W x 700D x 750H MEETING TABLE 正方檯	1
	BLACK LEATHER CHAIR 椅子	3
	13W LED LAMP SPOTLIGHT (YELLOW LIGHT) 13瓦特LED燈膽短臂射燈 (黃光)	4
	13W LED LAMP LONGARMED SPOTLIGHT (YELLOW LIGHT) 13瓦特LED燈膽長臂射燈 (黃光)	2
	800W SOCKET 插座	1
	CEILING BEAM 天花橫樑	6M
	RUBBISH BIN & CARPET (12 sqm.) 垃圾桶 & 地毯	

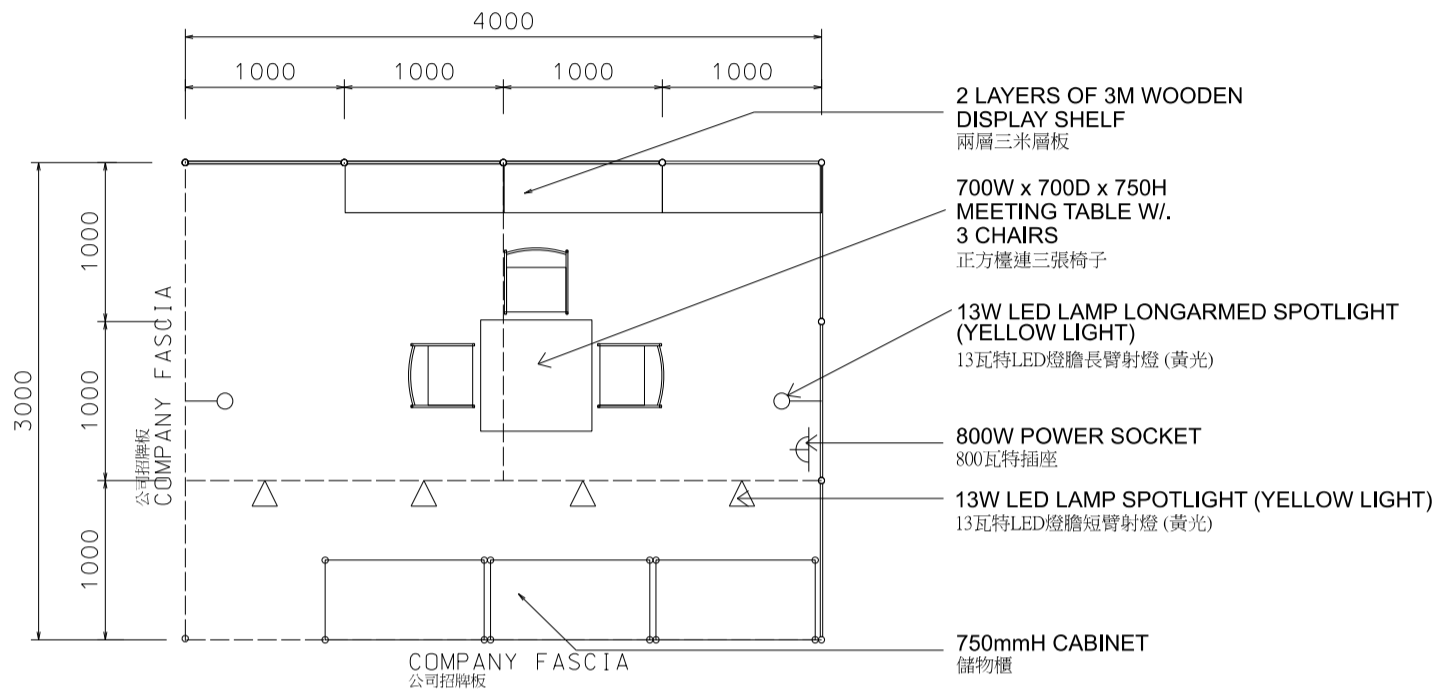
\*The Hong Kong Trade Development Council reserves the right to change the configuration if necessary.

\*如有需要，香港貿易發展局有權更改攤位結構。

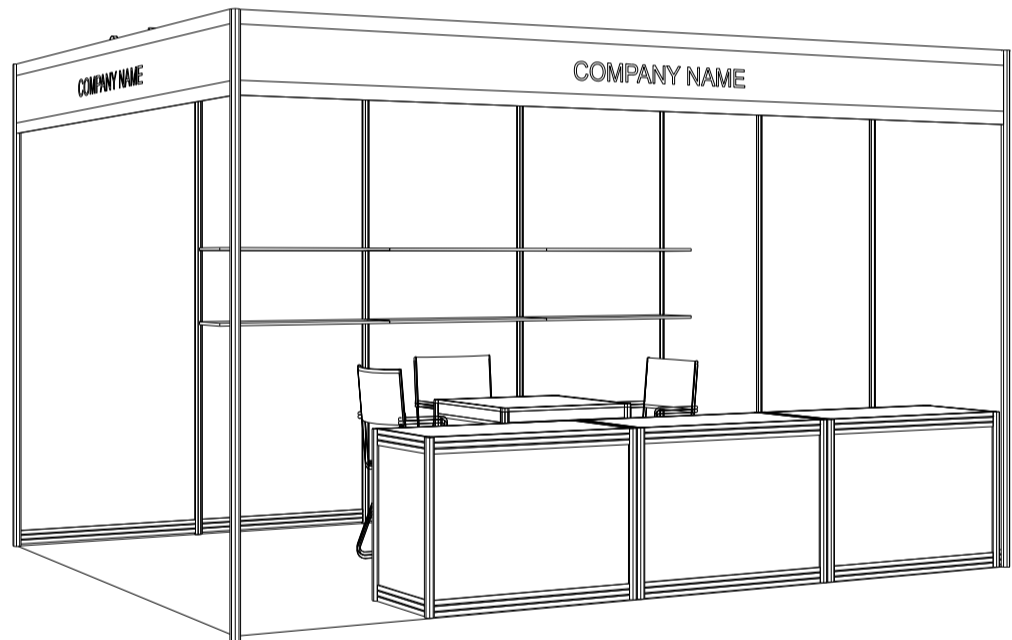
(FOR PUBLIC HALL EXHIBITORS ONLY 只供公眾館參展商選用)

**4M x 3M Left Corner Booth**

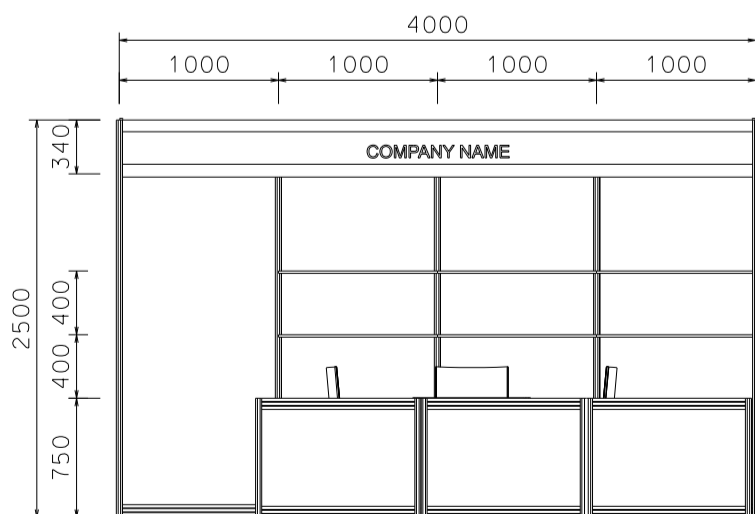
四米乘三米左邊角位攤位



PLAN  
平面圖



PERSPECTIVE  
透視圖



ELEVATION  
正面圖

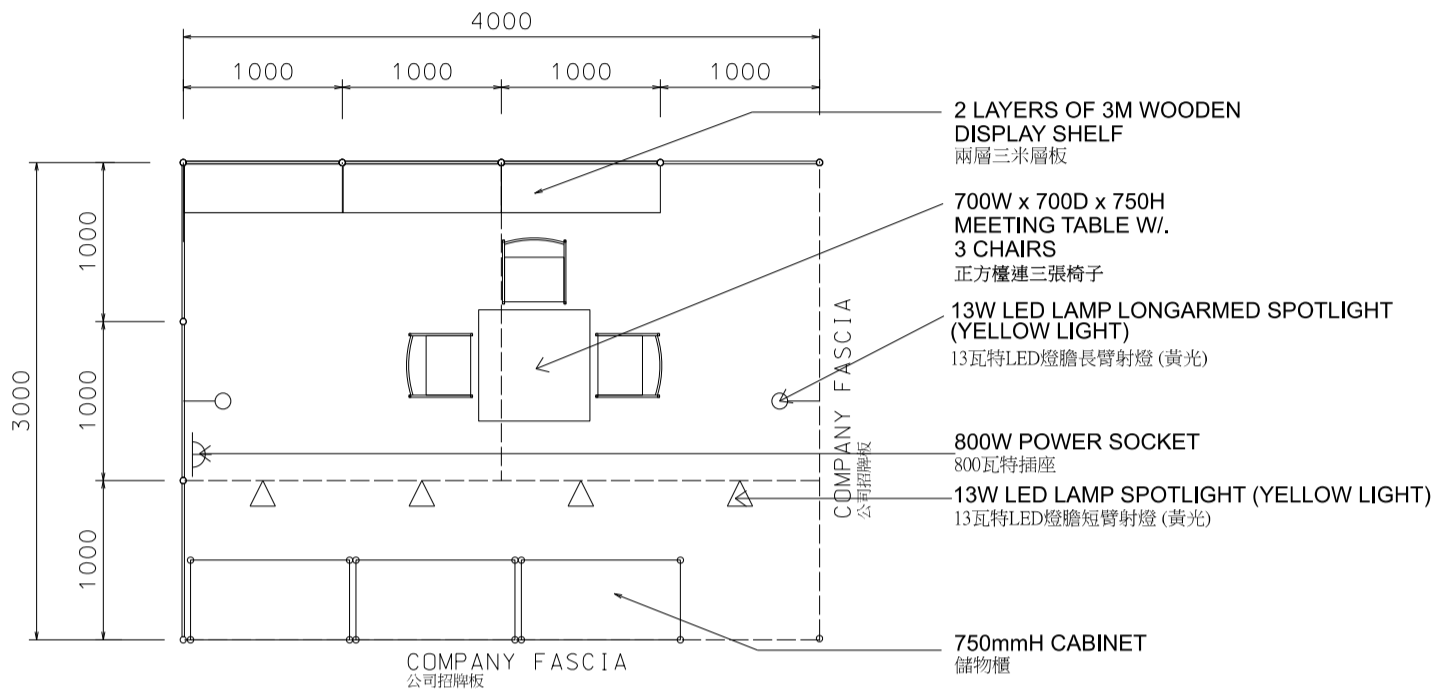
BOOTH SPECIFICATIONS		QTY.
	1000W x 500D x 750H CABINET 儲物櫃	3
	3000W x 300D WOODEN DISPLAY SHELF 陳列架	2
	700W x 700D x 750H MEETING TABLE 正方檯	1
	BLACK LEATHER CHAIR 椅子	3
	13W LED LAMP SPOTLIGHT (YELLOW LIGHT) 13瓦特LED燈膽短臂射燈 (黃光)	4
	13W LED LAMP LONGARMED SPOTLIGHT (YELLOW LIGHT) 13瓦特LED燈膽長臂射燈 (黃光)	2
	800W SOCKET 插座	1
	CEILING BEAM 天花橫樑	6M
	RUBBISH BIN & CARPET (12 sqm.) 垃圾桶 & 地毯	

\*The Hong Kong Trade Development Council reserves the right to change the configuration if necessary.

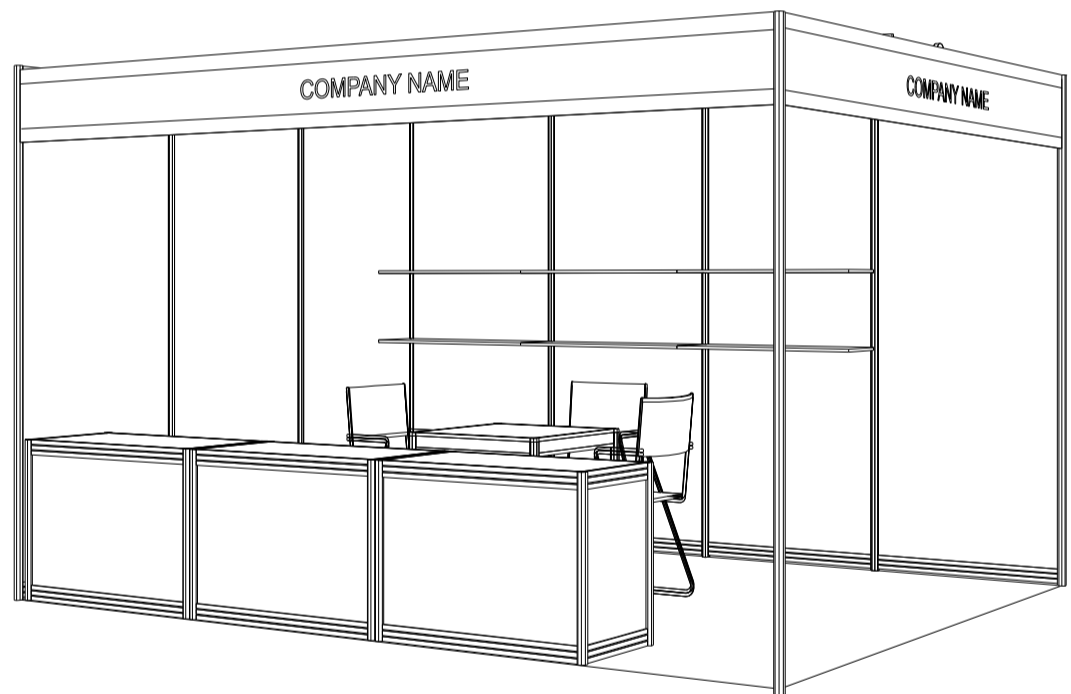
\*如有需要，香港貿易發展局有權更改攤位結構。

(FOR PUBLIC HALL EXHIBITORS ONLY 只供公眾館參展商選用)

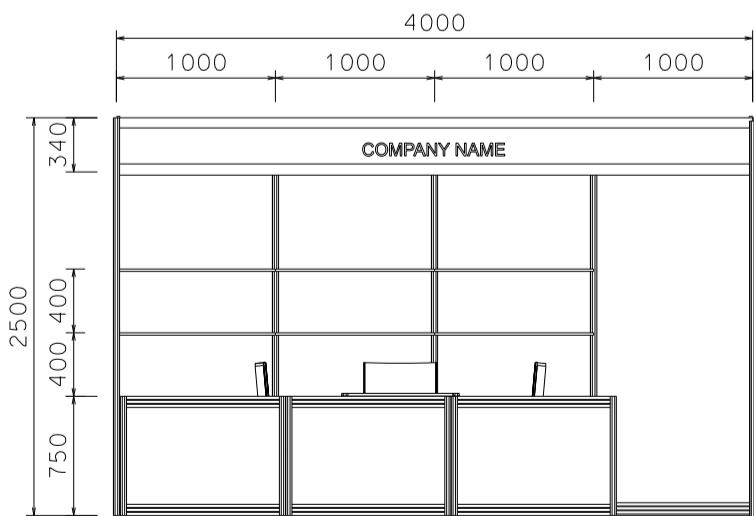
**4M x 3M Right Corner Booth**  
 四米乘三米右邊角位攤位



PLAN  
 平面圖



PERSPECTIVE  
 透視圖



ELEVATION  
 正面圖

BOOTH SPECIFICATIONS		QTY.
	1000W x 500D x 750H CABINET 儲物櫃	3
	3000W x 300D WOODEN DISPLAY SHELF 陳列架	2
	700W x 700D x 750H MEETING TABLE 正方檯	1
	BLACK LEATHER CHAIR 椅子	3
	13W LED LAMP SPOTLIGHT (YELLOW LIGHT) 13瓦特LED燈膽短臂射燈 (黃光)	4
	13W LED LAMP LONGARMED SPOTLIGHT (YELLOW LIGHT) 13瓦特LED燈膽長臂射燈 (黃光)	2
	800W SOCKET 插座	1
	CEILING BEAM 天花橫樑	6M
	RUBBISH BIN & CARPET (12 sqm.) 垃圾桶 & 地毯	

\*The Hong Kong Trade Development Council reserves the right to change the configuration if necessary.

\*如有需要，香港貿易發展局有權更改攤位結構。