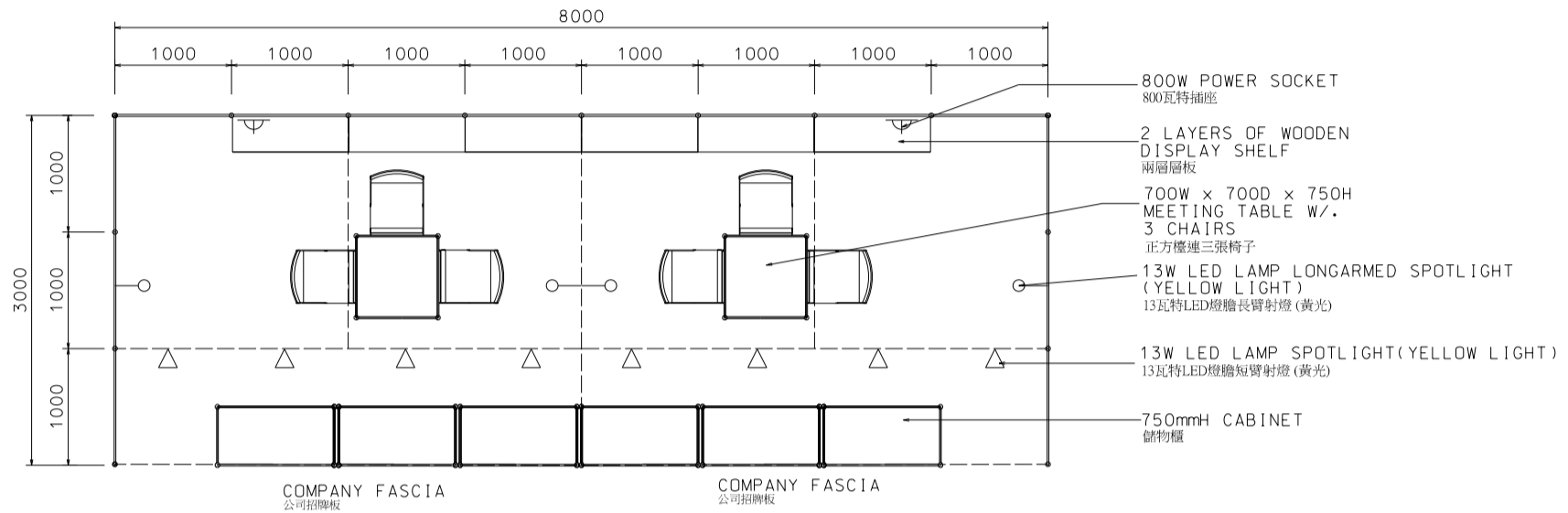


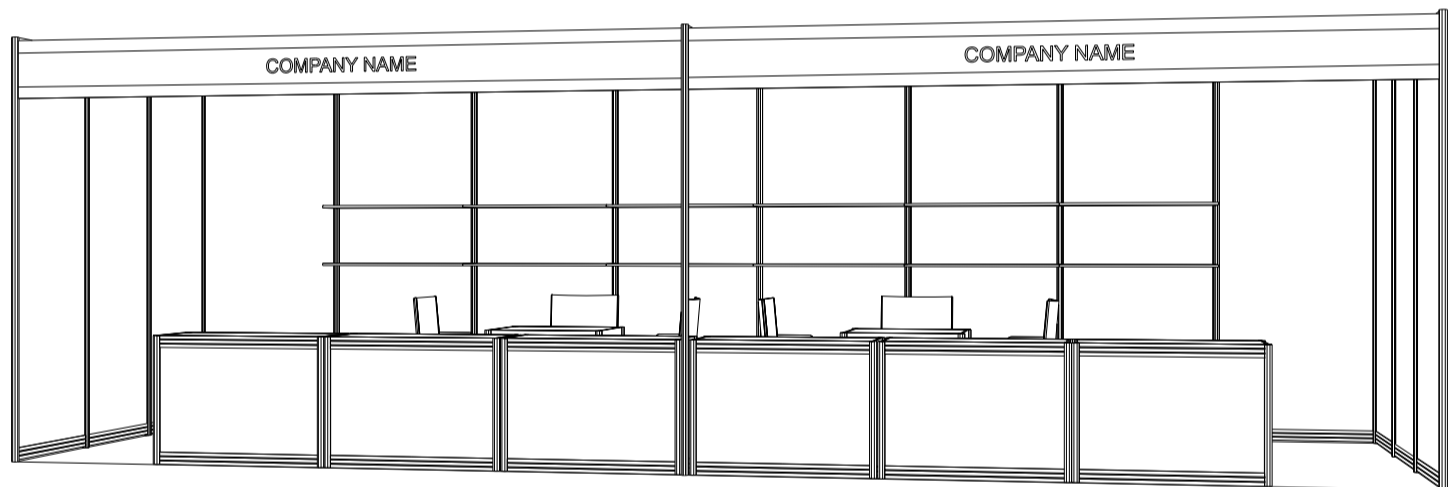
(FOR PUBLIC HALL EXHIBITORS ONLY 只供公眾館參展商選用)

**8M x 3M Standard Booth**

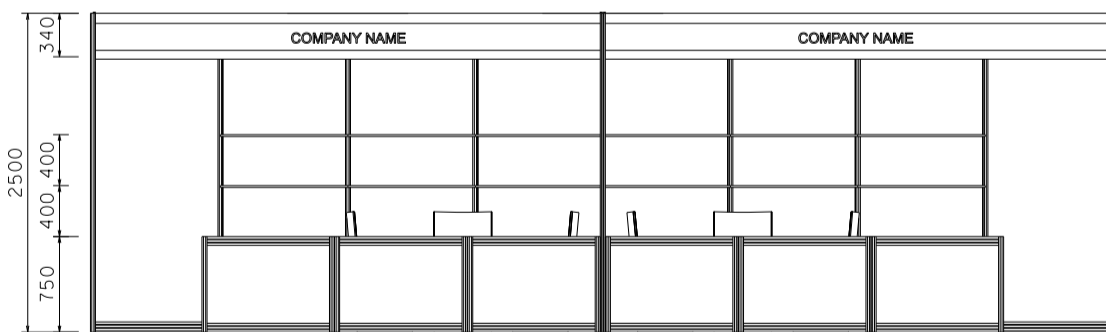
八米乘三米標準攤位



PLAN  
 平面圖



PERSPECTIVE  
 透視圖



ELEVATION  
 正面圖

| BOOTH SPECIFICATIONS |                                                             | QTY. |
|----------------------|-------------------------------------------------------------|------|
|                      | 1000W x 500D x 750H CABINET 儲物櫃                             | 6    |
|                      | 3000W x 300D WOODEN DISPLAY SHELF 陳列架                       | 4    |
|                      | 700W x 700D x 750H MEETING TABLE 正方檯                        | 2    |
|                      | BLACK LEATHER CHAIR 椅子                                      | 6    |
|                      | 13W LED LAMP SPOTLIGHT (YELLOW LIGHT)<br>13瓦特LED燈膽短臂射燈 (黃光) | 8    |
|                      | 13W LED LAMP SPOTLIGHT (YELLOW LIGHT)<br>13瓦特LED燈膽長臂射燈 (黃光) | 4    |
|                      | 800W SOCKET 插座                                              | 2    |
|                      | CEILING BEAM 天花橫樑                                           | 15M  |
|                      | RUBBISH BIN & CARPET (24 sqm.) 垃圾桶 & 地毯                     |      |

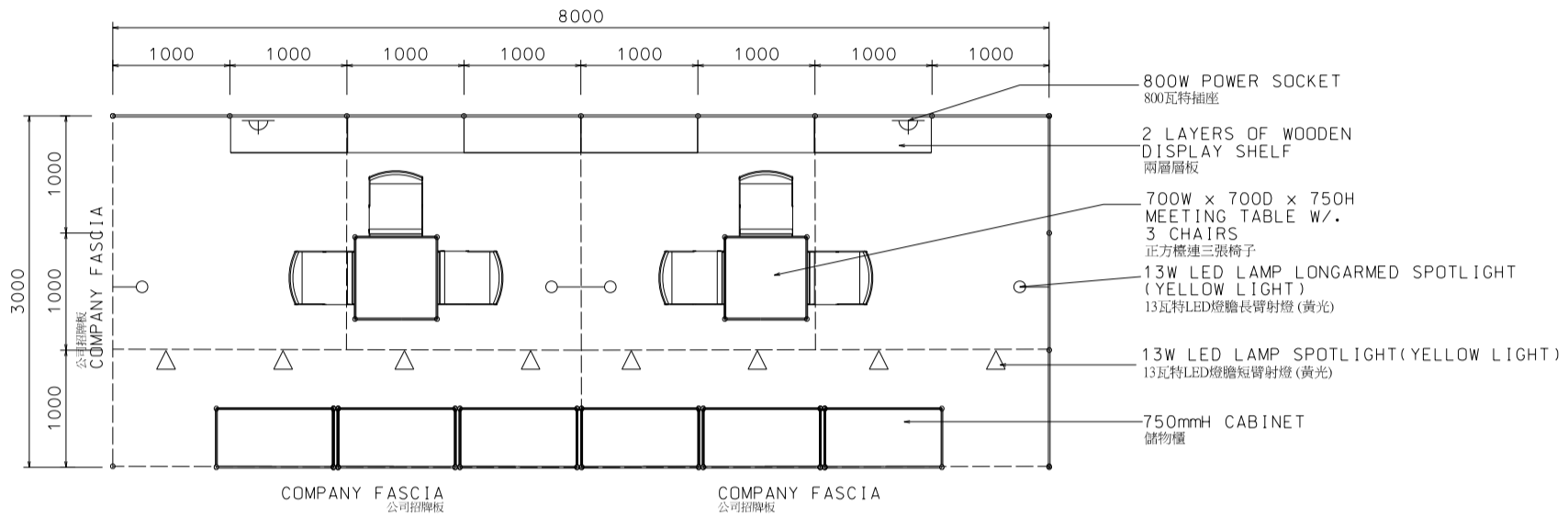
\*The Hong Kong Trade Development Council reserves the right to change the configuration if necessary.

\*如有需要，香港貿易發展局有權更改攤位結構。

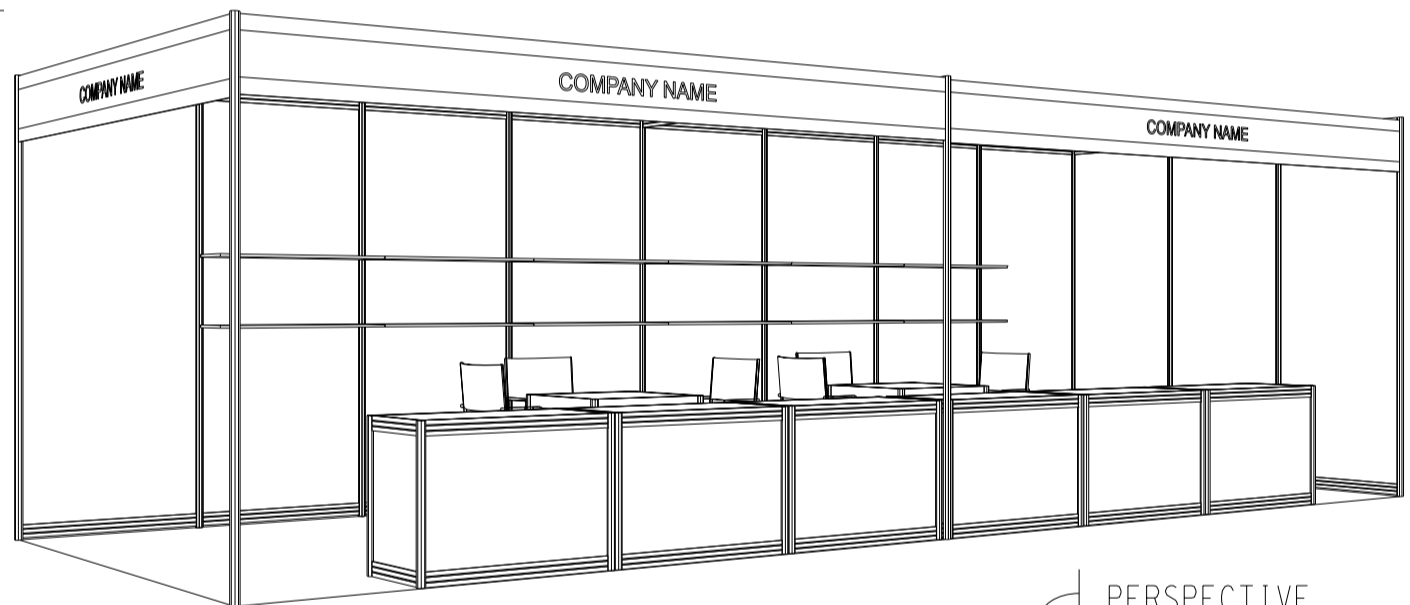
(FOR PUBLIC HALL EXHIBITORS ONLY 只供公眾館參展商選用)

**8M x 3M Left Corner Booth**

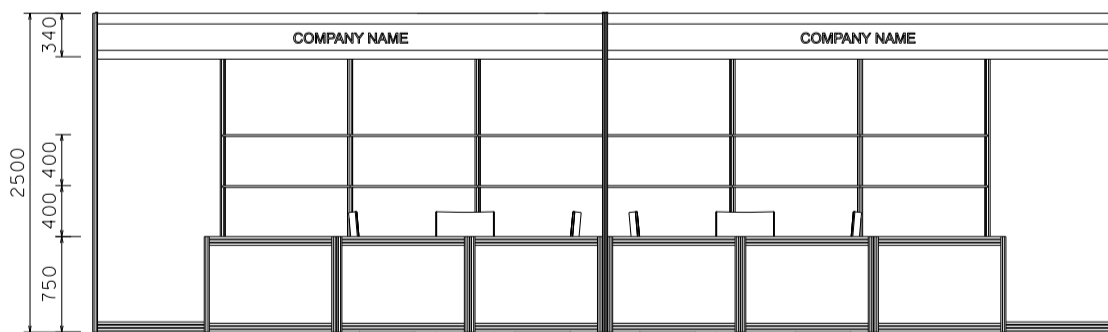
八米乘三米左邊角位攤位



PLAN  
 平面圖



PERSPECTIVE  
 透視圖



ELEVATION  
 正面圖

| BOOTH SPECIFICATIONS |                                                                       | QTY. |
|----------------------|-----------------------------------------------------------------------|------|
|                      | 1000W x 500D x 750H CABINET 儲物櫃                                       | 6    |
|                      | 3000W x 300D WOODEN DISPLAY SHELF 陳列架                                 | 4    |
|                      | 700W x 700D x 750H MEETING TABLE 正方檯                                  | 2    |
|                      | BLACK LEATHER CHAIR 椅子                                                | 6    |
|                      | 13W LED LAMP SPOTLIGHT (YELLOW LIGHT)<br>13瓦特LED燈膽短臂射燈 (黃光)           | 8    |
|                      | 13W LED LAMP LONGARMED SPOTLIGHT (YELLOW LIGHT)<br>13瓦特LED燈膽長臂射燈 (黃光) | 4    |
|                      | 800W SOCKET 插座                                                        | 2    |
|                      | CEILING BEAM 天花橫樑                                                     | 15M  |
|                      | RUBBISH BIN & CARPET (24 sqm.) 垃圾桶 & 地毯                               |      |

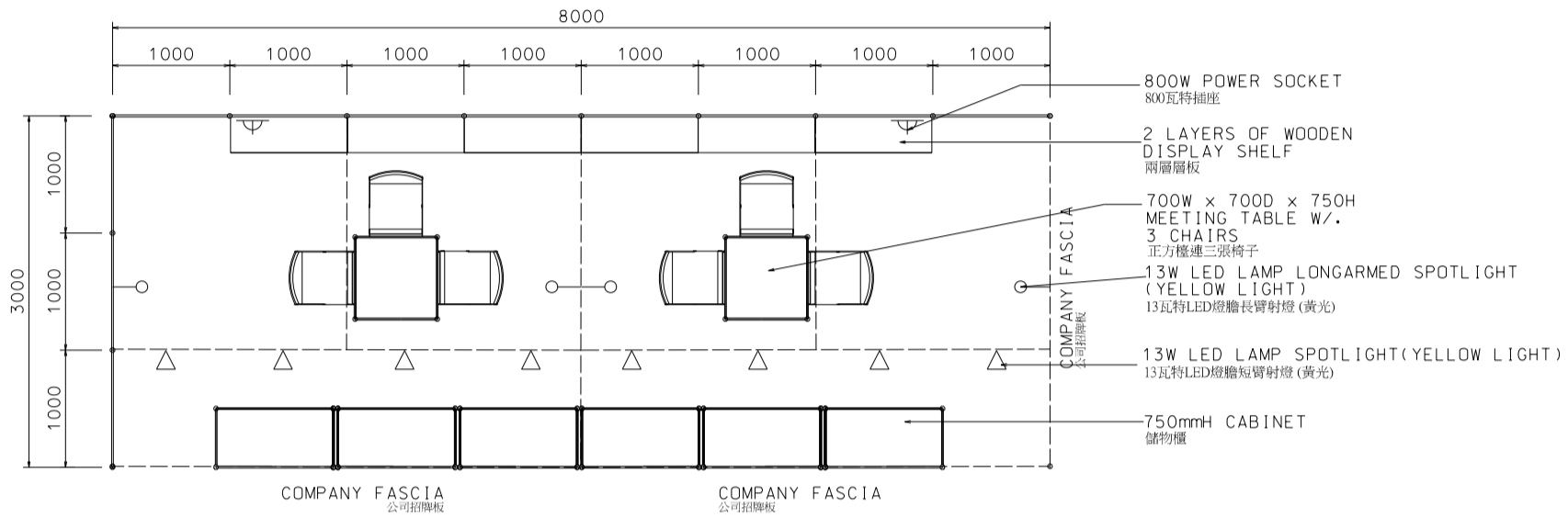
\*The Hong Kong Trade Development Council reserves the right to change the configuration if necessary.

\*如有需要，香港貿易發展局有權更改攤位結構。

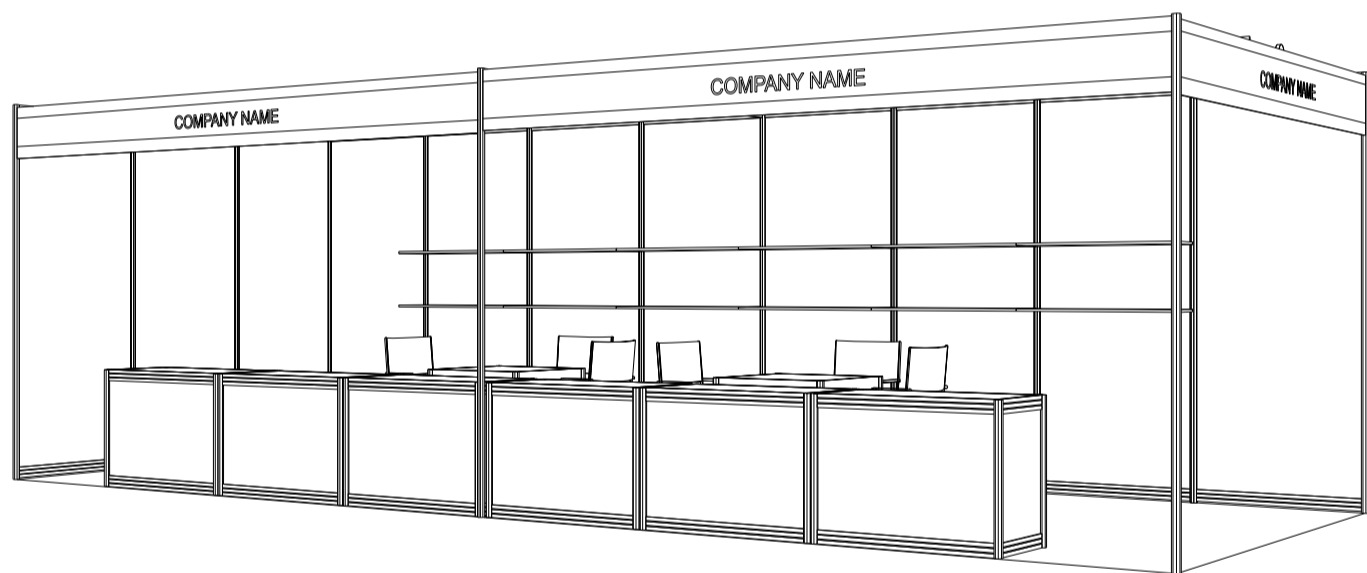
(FOR PUBLIC HALL EXHIBITORS ONLY 只供公眾館參展商選用)

**8M x 3M Right Corner Booth**

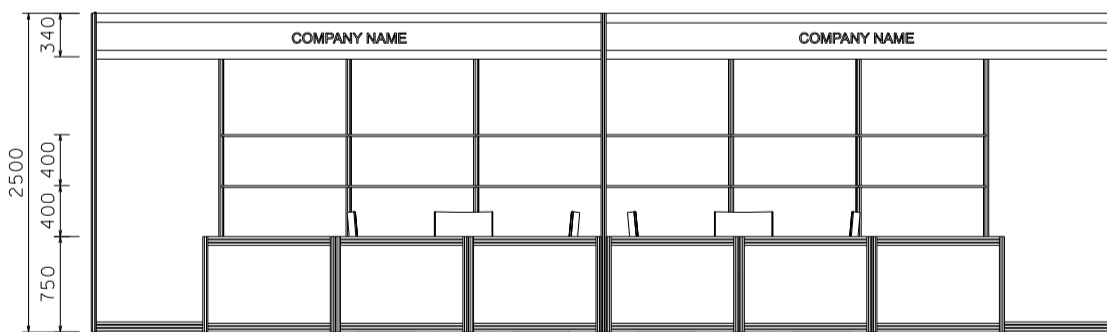
八米乘三米右邊角位攤位



PLAN  
平面圖



PERSPECTIVE  
透視圖



ELEVATION  
正面圖

| BOOTH SPECIFICATIONS |                                                                       | QTY. |
|----------------------|-----------------------------------------------------------------------|------|
|                      | 1000W x 500D x 750H CABINET 儲物櫃                                       | 6    |
|                      | 3000W x 300D WOODEN DISPLAY SHELF 陳列架                                 | 4    |
|                      | 700W x 700D x 750H MEETING TABLE 正方檯                                  | 2    |
|                      | BLACK LEATHER CHAIR 椅子                                                | 6    |
|                      | 13W LED LAMP SPOTLIGHT (YELLOW LIGHT)<br>13瓦特LED燈膽短臂射燈 (黃光)           | 8    |
|                      | 13W LED LAMP LONGARMED SPOTLIGHT (YELLOW LIGHT)<br>13瓦特LED燈膽長臂射燈 (黃光) | 4    |
|                      | 800W SOCKET 插座                                                        | 2    |
|                      | CEILING BEAM 天花橫樑                                                     | 15M  |
|                      | RUBBISH BIN & CARPET (24 sqm.) 垃圾桶 & 地毯                               |      |

\*The Hong Kong Trade Development Council reserves the right to change the configuration if necessary.

\*如有需要，香港貿易發展局有權更改攤位結構。