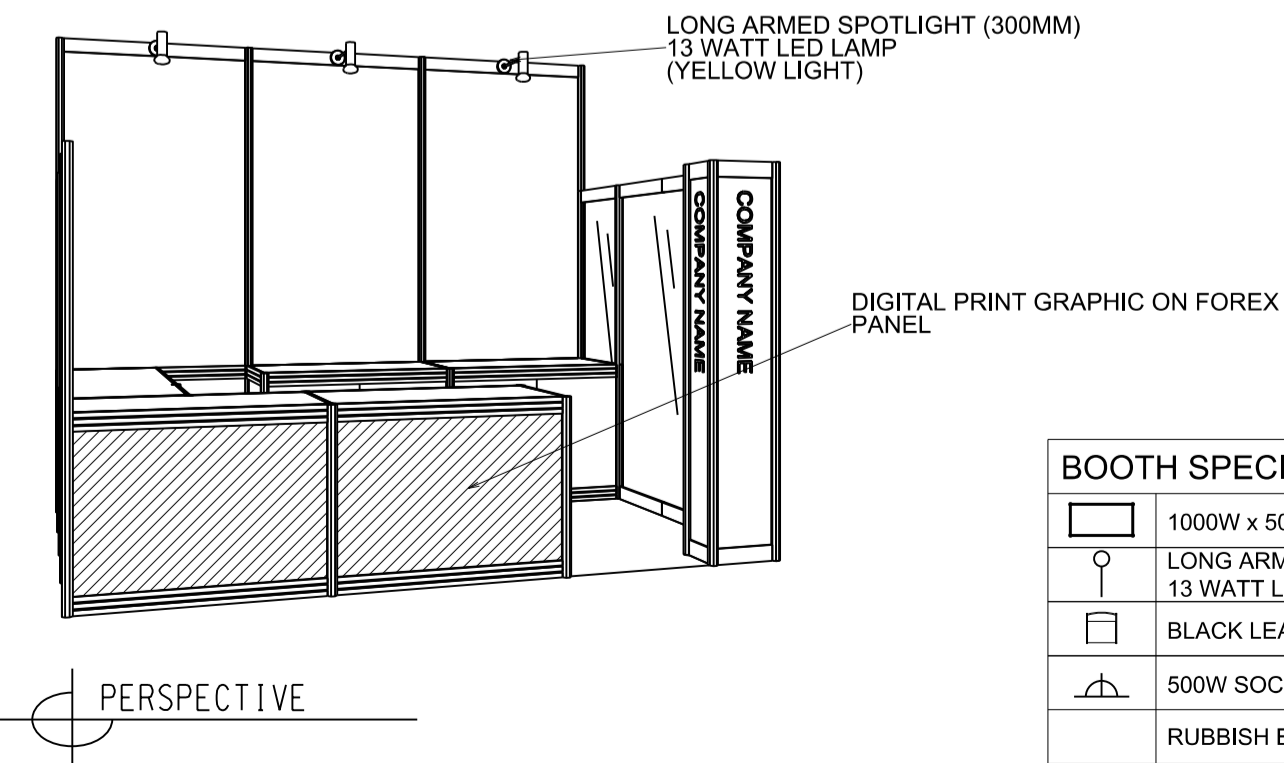
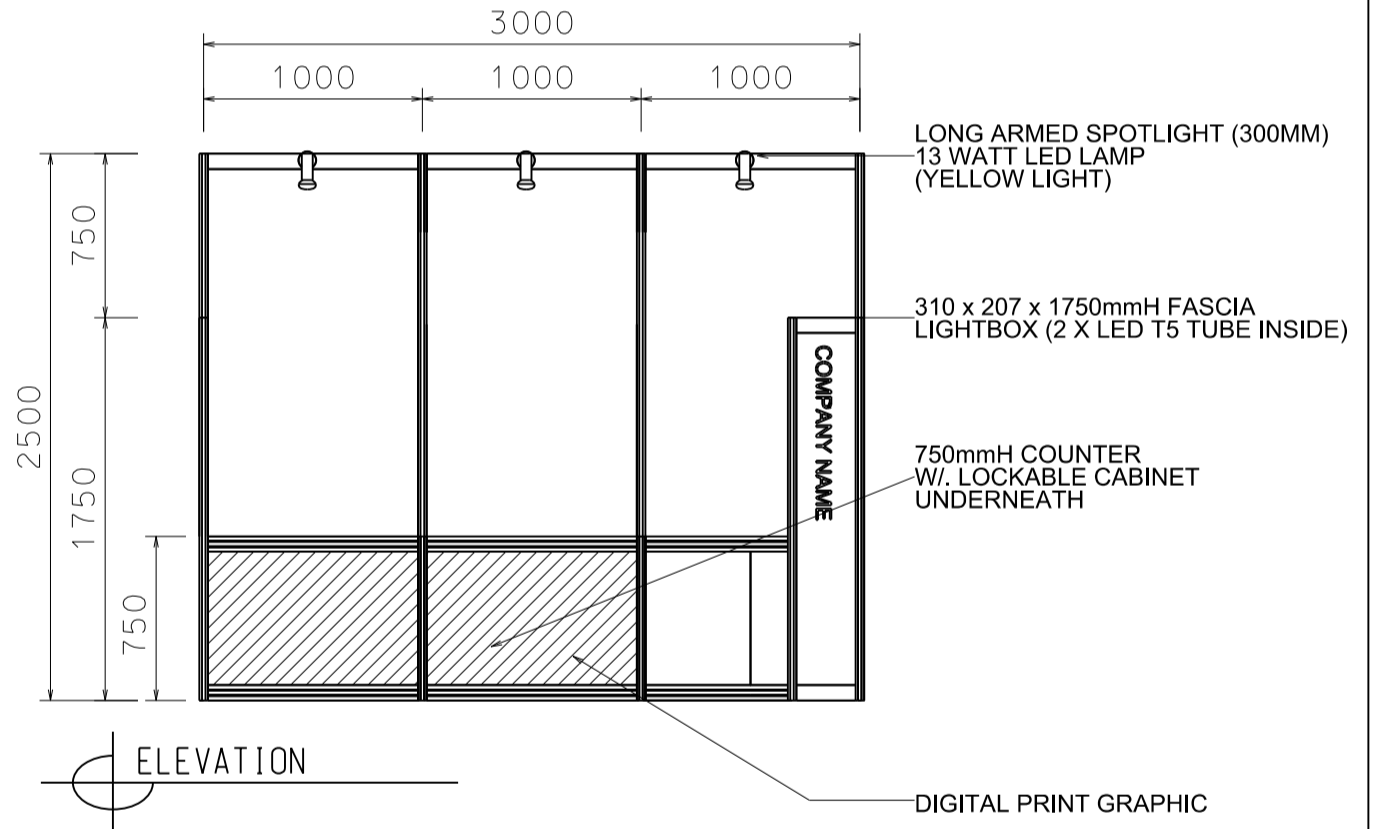
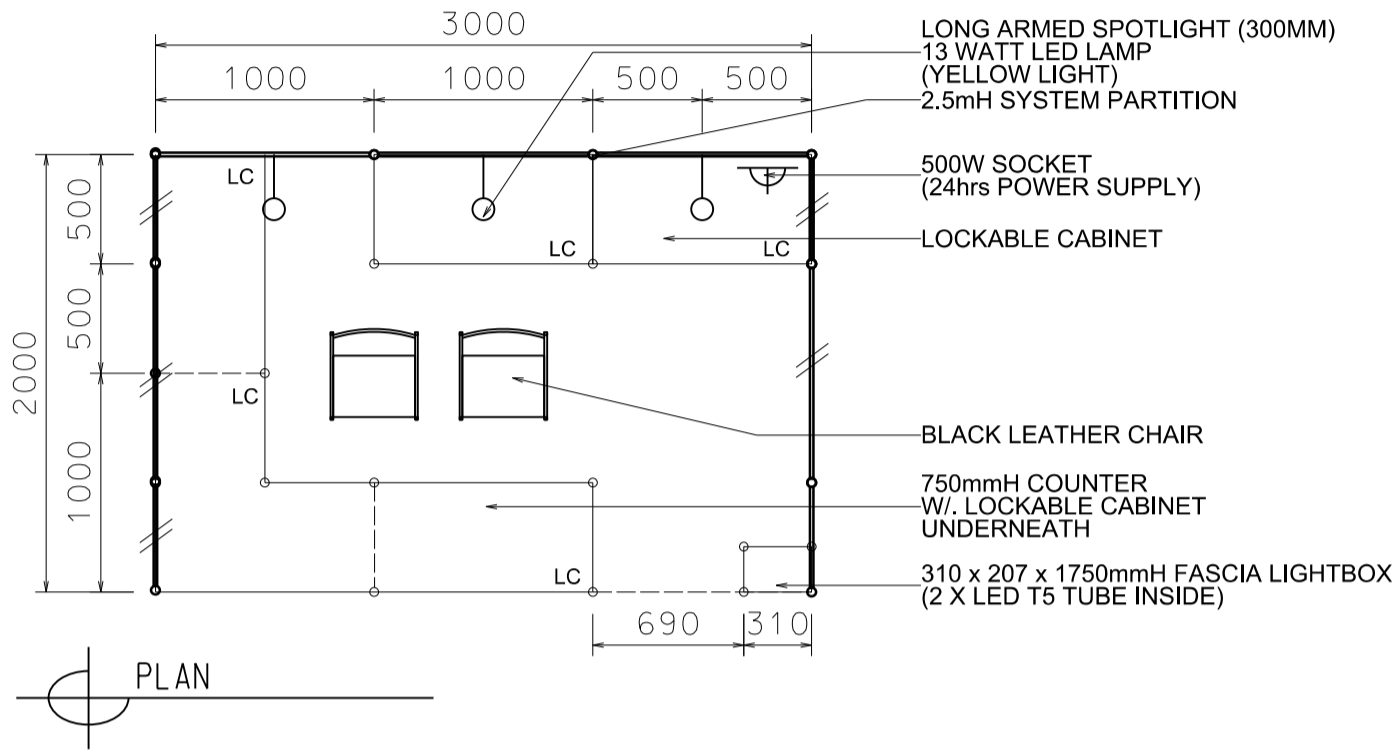


3M x 2M GOURMET ZONE BOOTH (OPTION B)

三米乘二米標準攤位



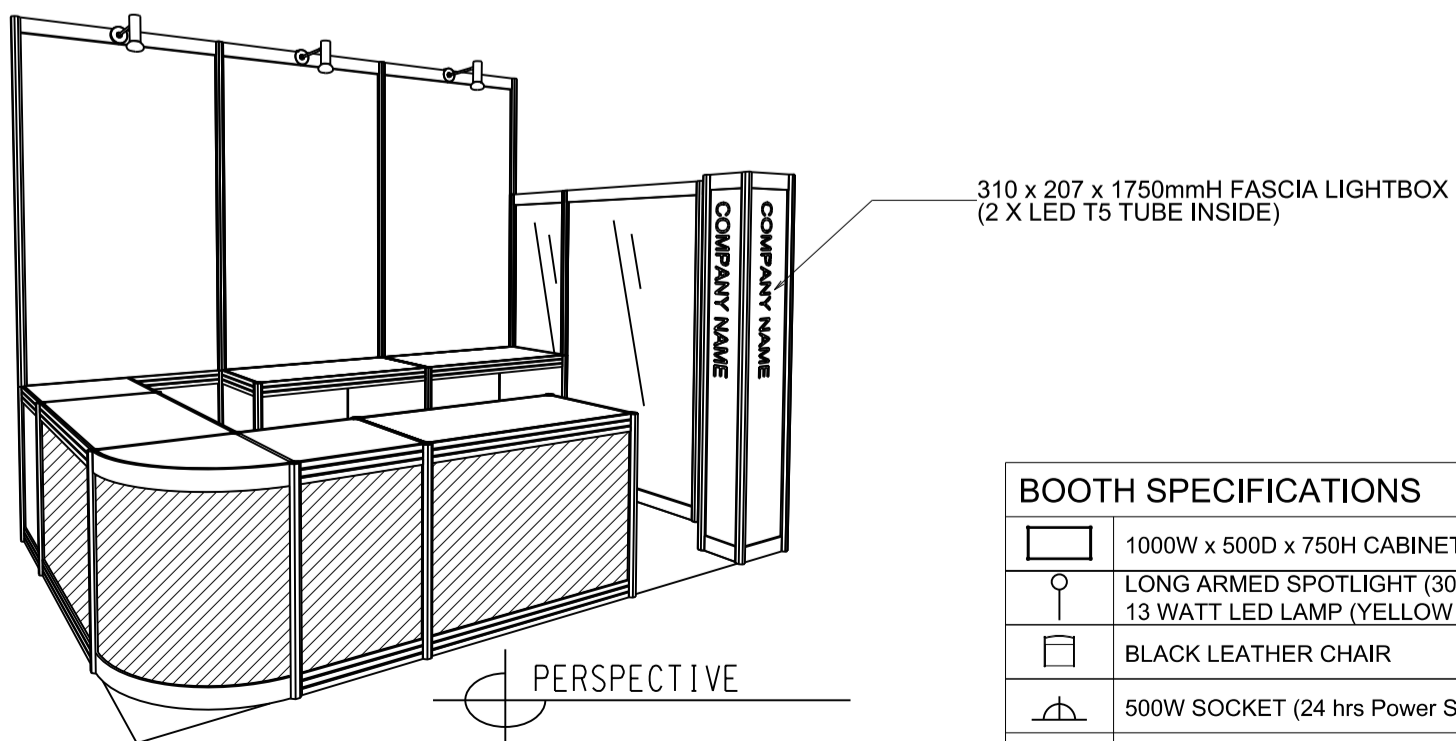
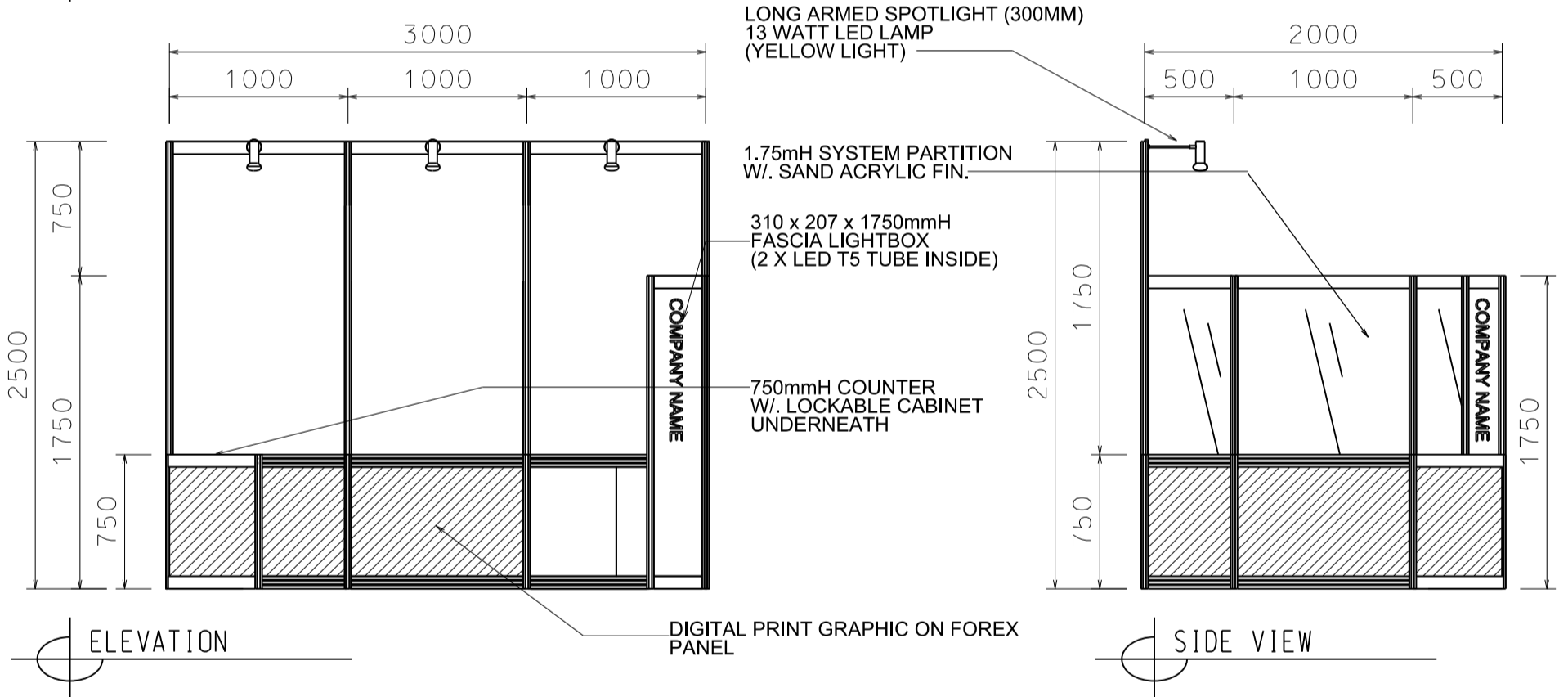
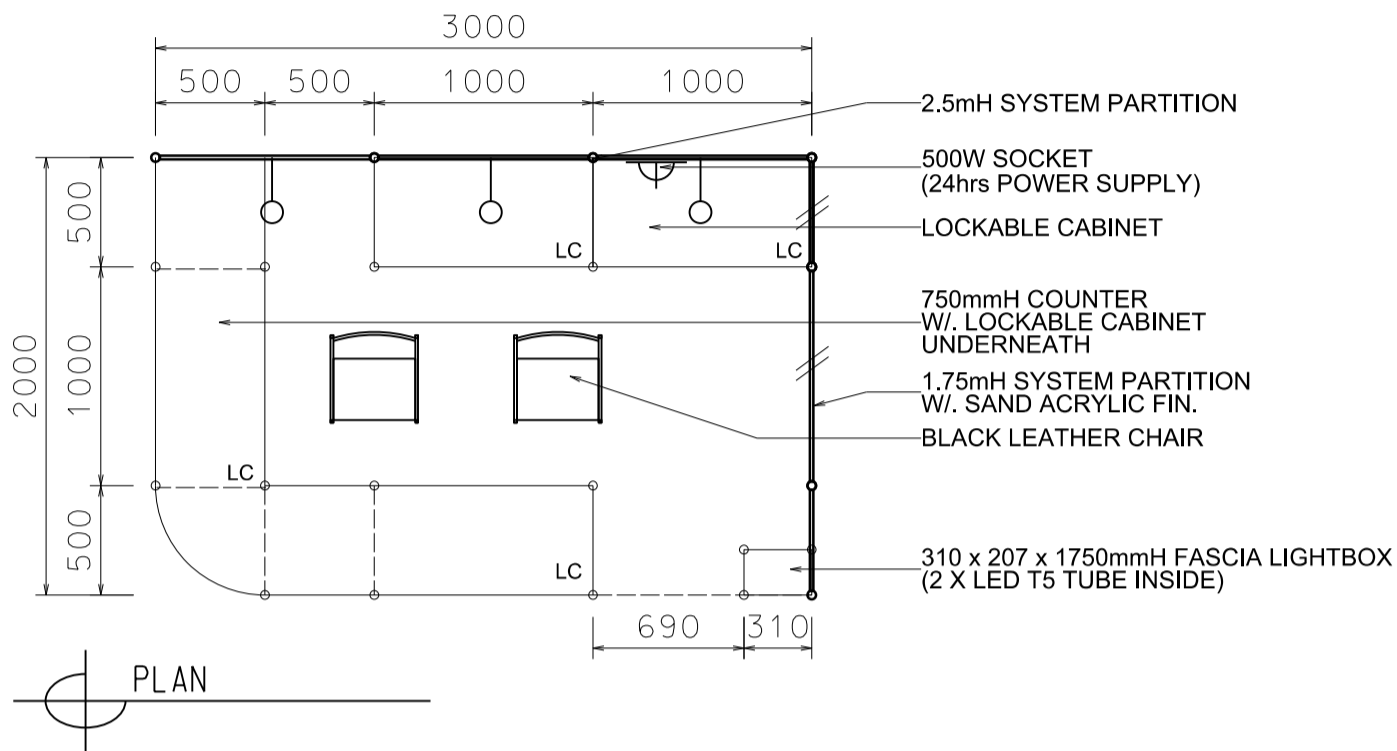
BOOTH SPECIFICATIONS		QTY.
	1000W x 500D x 750H CABINET	5.5
	LONG ARMED SPOTLIGHT (300MM) 13 WATT LED LAMP (YELLOW LIGHT)	3
	BLACK LEATHER CHAIR	2
	500W SOCKET (24 hrs Power Supply)	1
	RUBBISH BIN & CARPET (6sqm.)	

*The Hong Kong Trade Development Council reserves the right to change the configuration if necessary.

*如有需要，香港貿易發展局有權更改攤位結構。

3M x 2M GOURMET ZONE LEFT CORNER BOOTH (OPTION B)

三米乘二米左邊角位攤位



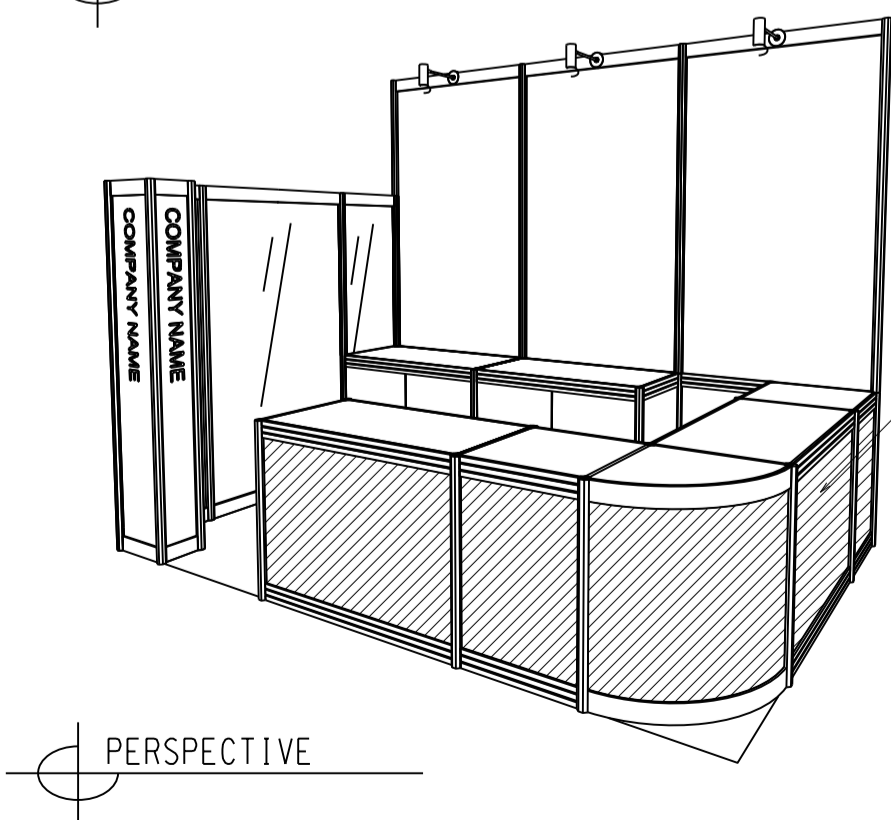
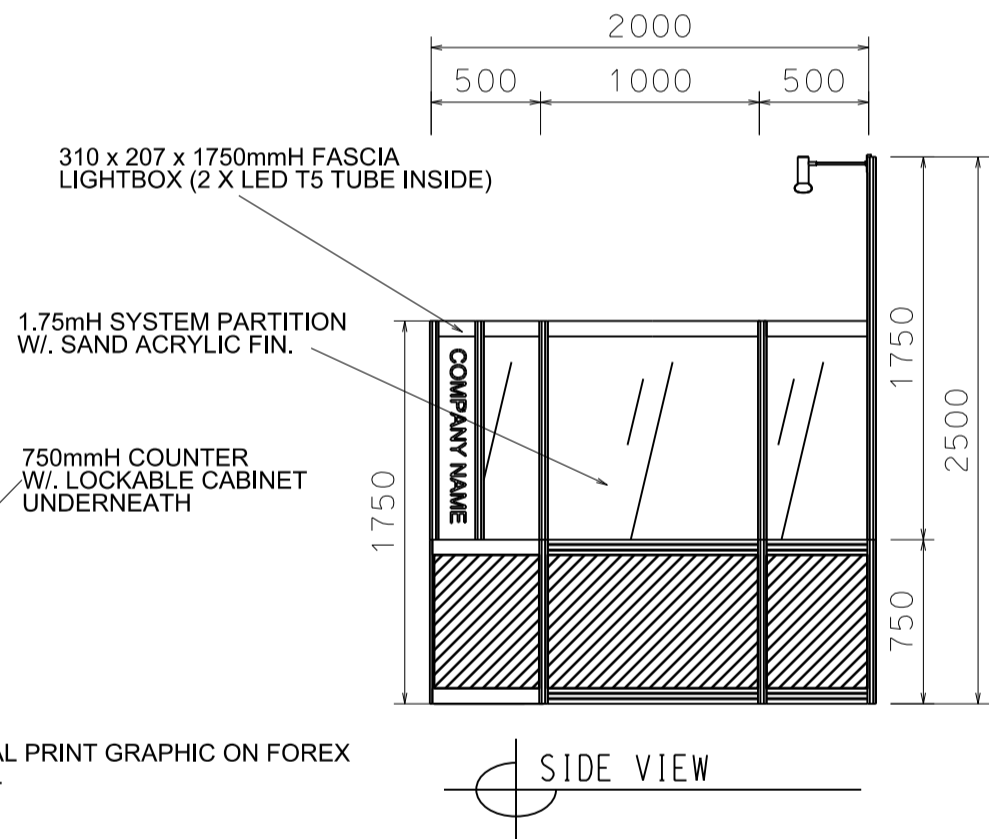
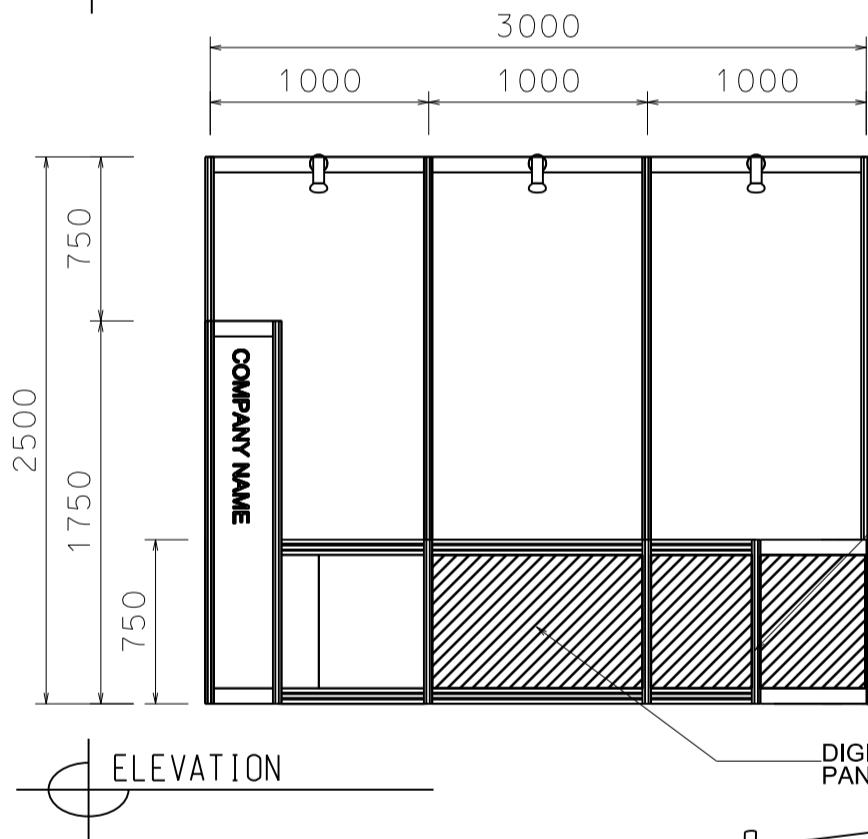
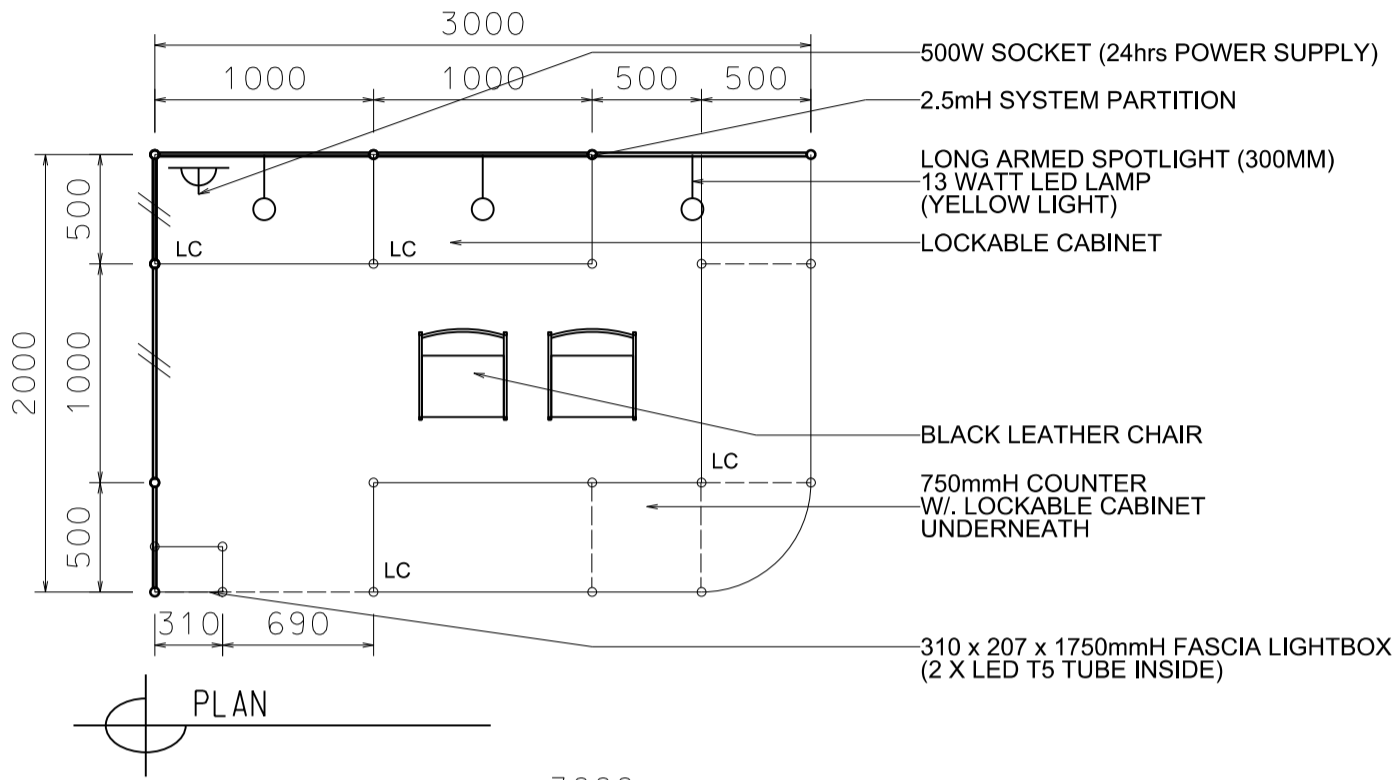
BOOTH SPECIFICATIONS		QTY.
	1000W x 500D x 750H CABINET	5.5
	LONG ARMED SPOTLIGHT (300MM) 13 WATT LED LAMP (YELLOW LIGHT)	3
	BLACK LEATHER CHAIR	2
	500W SOCKET (24 hrs Power Supply)	1
	RUBBISH BIN & CARPET (6sqm.)	

*The Hong Kong Trade Development Council reserves the right to change the configuration if necessary.

*如有需要，香港貿易發展局有權更改攤位結構。

3M x 2M GOURMET ZONE RIGHT CORNER BOOTH (OPTION B)

三米乘二米右邊角位攤位



BOOTH SPECIFICATIONS		QTY.
	1000W x 500D x 750H CABINET	5.5
	LONG ARMED SPOTLIGHT (300MM) 13 WATT LED LAMP (YELLOW LIGHT)	3
	BLACK LEATHER CHAIR	2
	500W SOCKET (24 hrs Power Supply)	1
	RUBBISH BIN & CARPET (6sqm.)	

*The Hong Kong Trade Development Council reserves the right to change the configuration if necessary.

*如有需要，香港貿易發展局有權更改攤位結構。