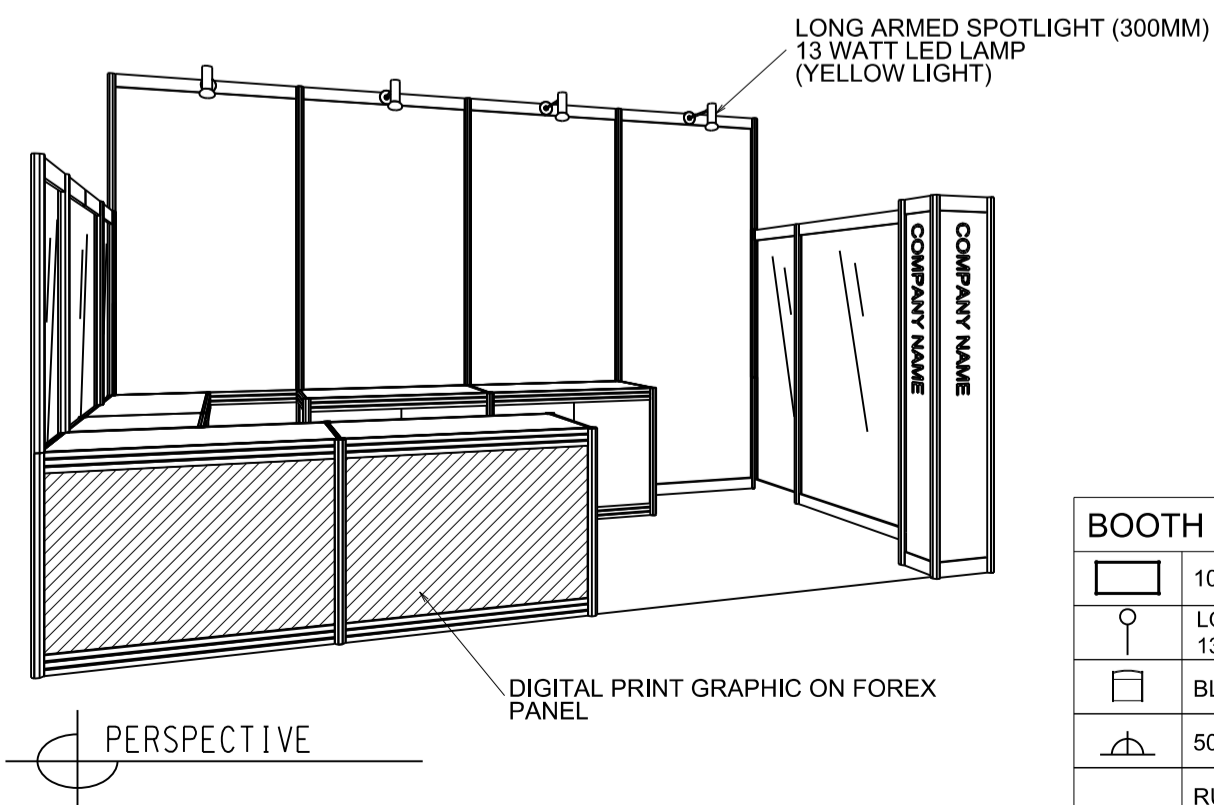
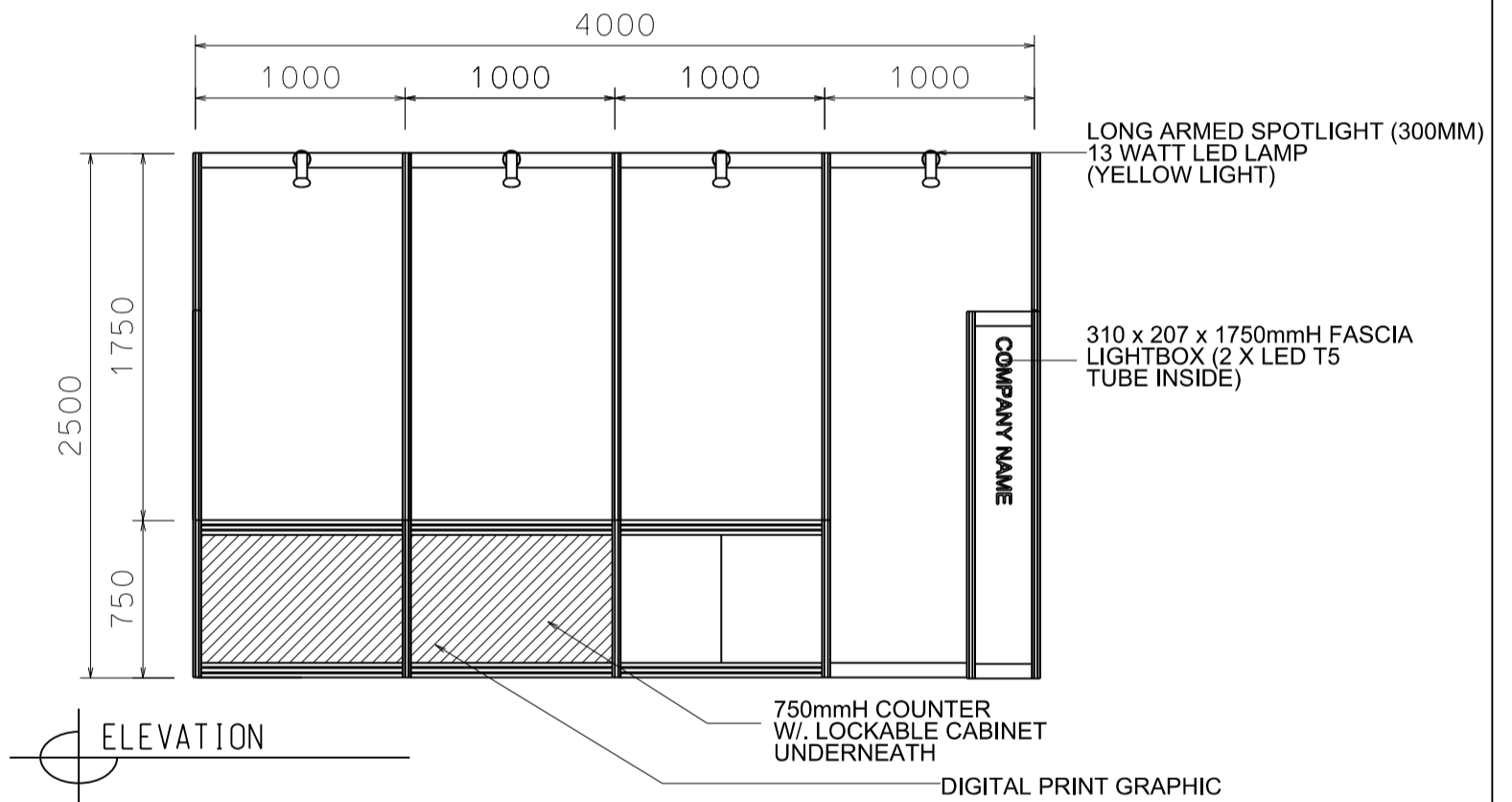
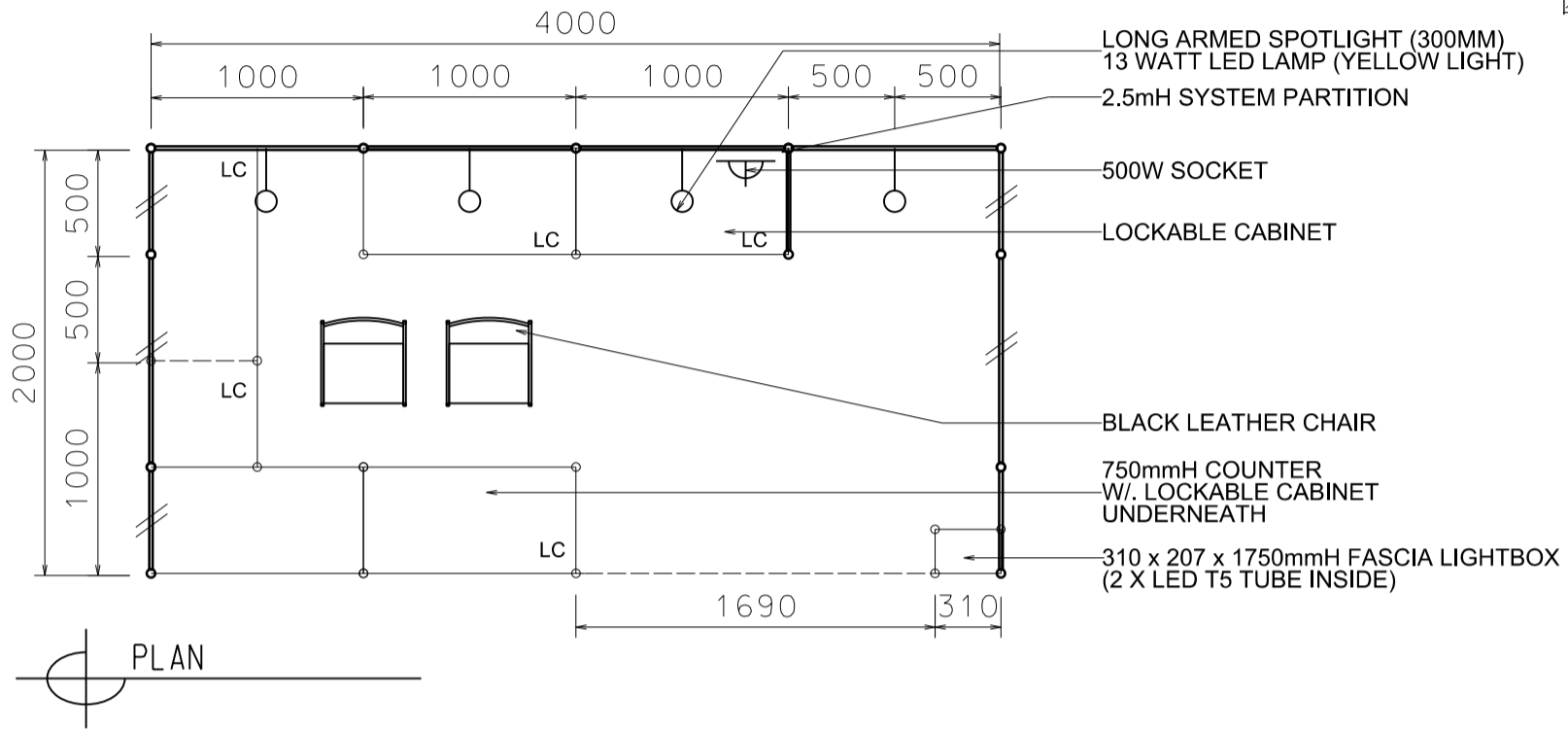
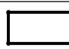


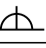


**4M x 2M GOURMET ZONE BOOTH (OPTION A)**

四米乘二米標準攤位



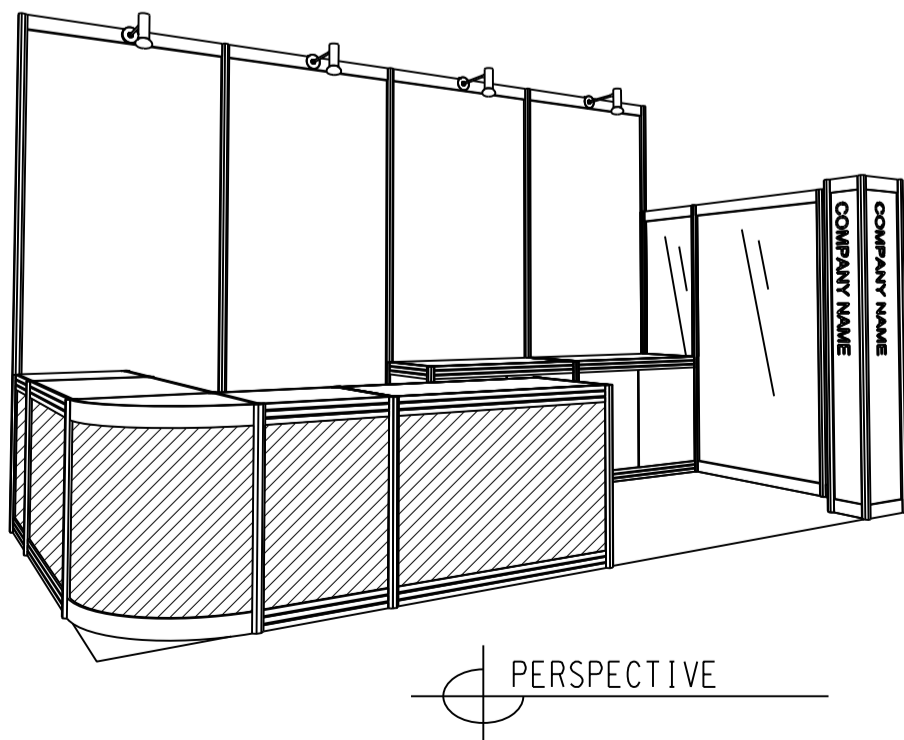
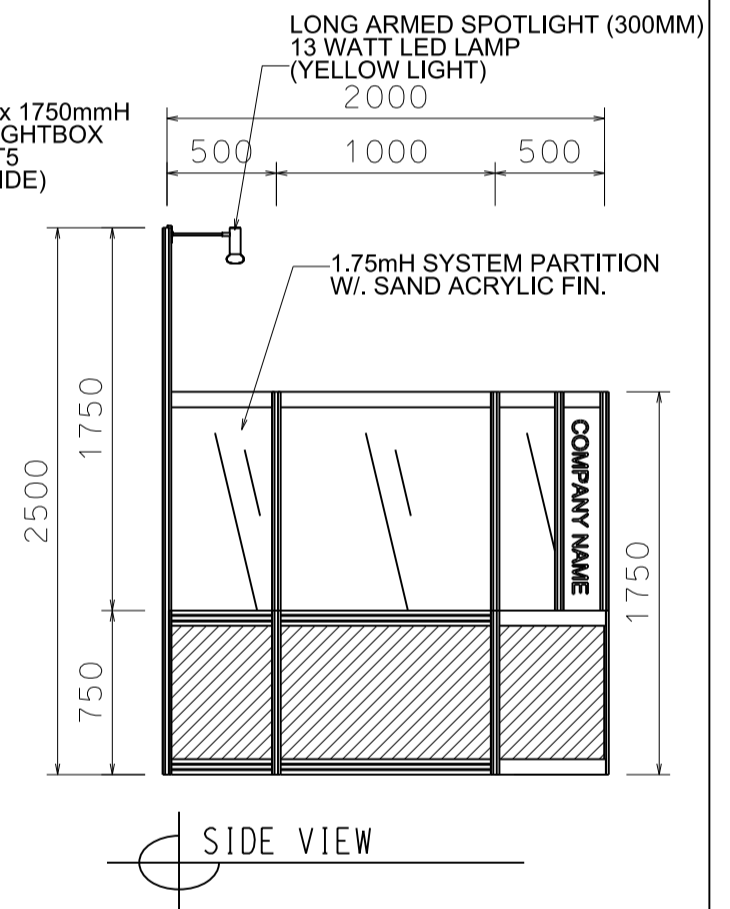
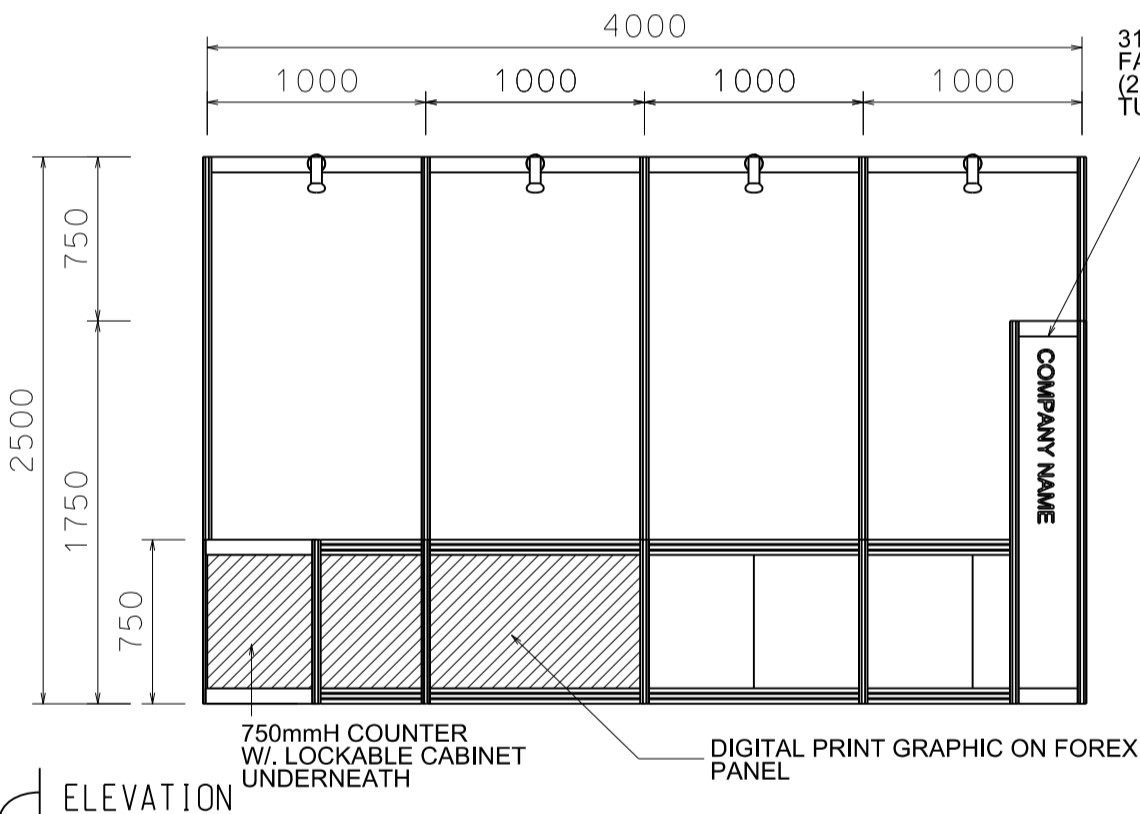
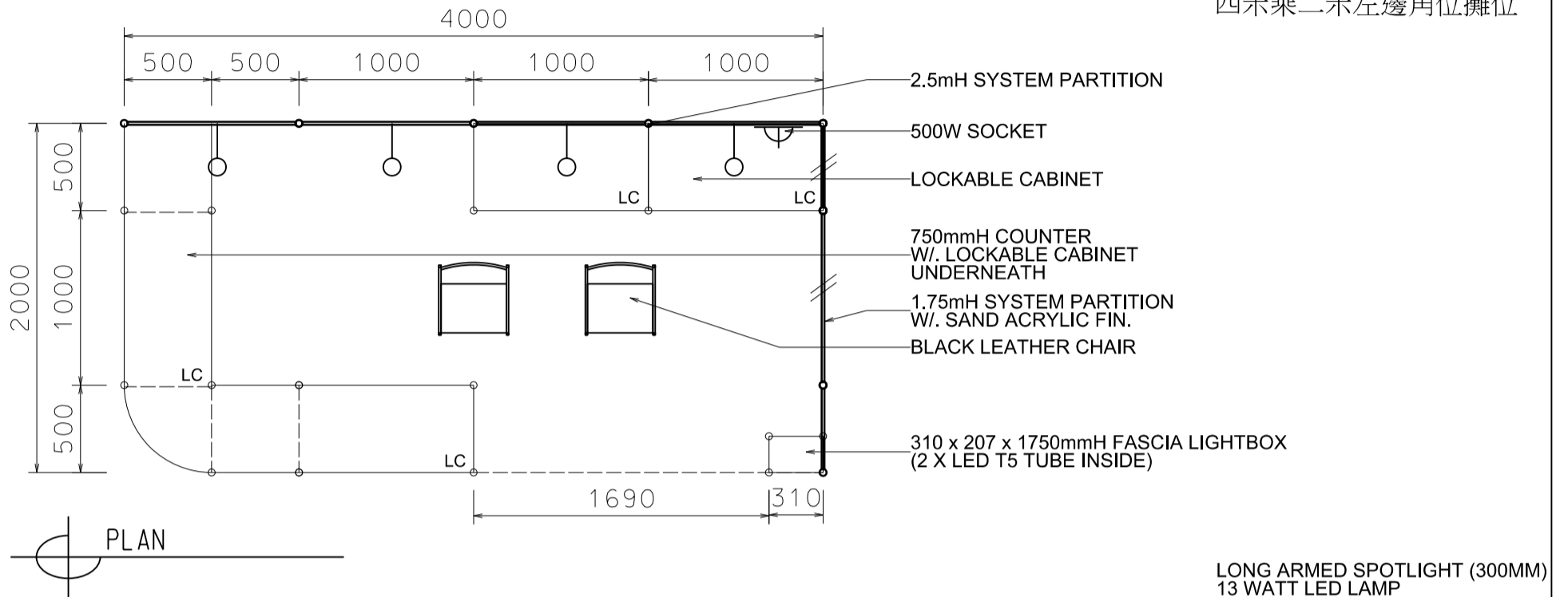
BOOTH SPECIFICATIONS		QTY.
	1000W x 500D x 750H CABINET	5.5
	LONG ARMED SPOTLIGHT (300MM) 13 WATT LED LAMP (YELLOW LIGHT)	4
	BLACK LEATHER CHAIR	2
	500W SOCKET	1
RUBBISH BIN & CARPET (8sqm.)		

\*The Hong Kong Trade Development Council reserves the right to change the configuration if necessary.

\*如有需要，香港貿易發展局有權更改攤位結構。

**4M x 2M GOURMET ZONE LEFT CORNER BOOTH (OPTION A)**

四米乘二米左邊角位攤位



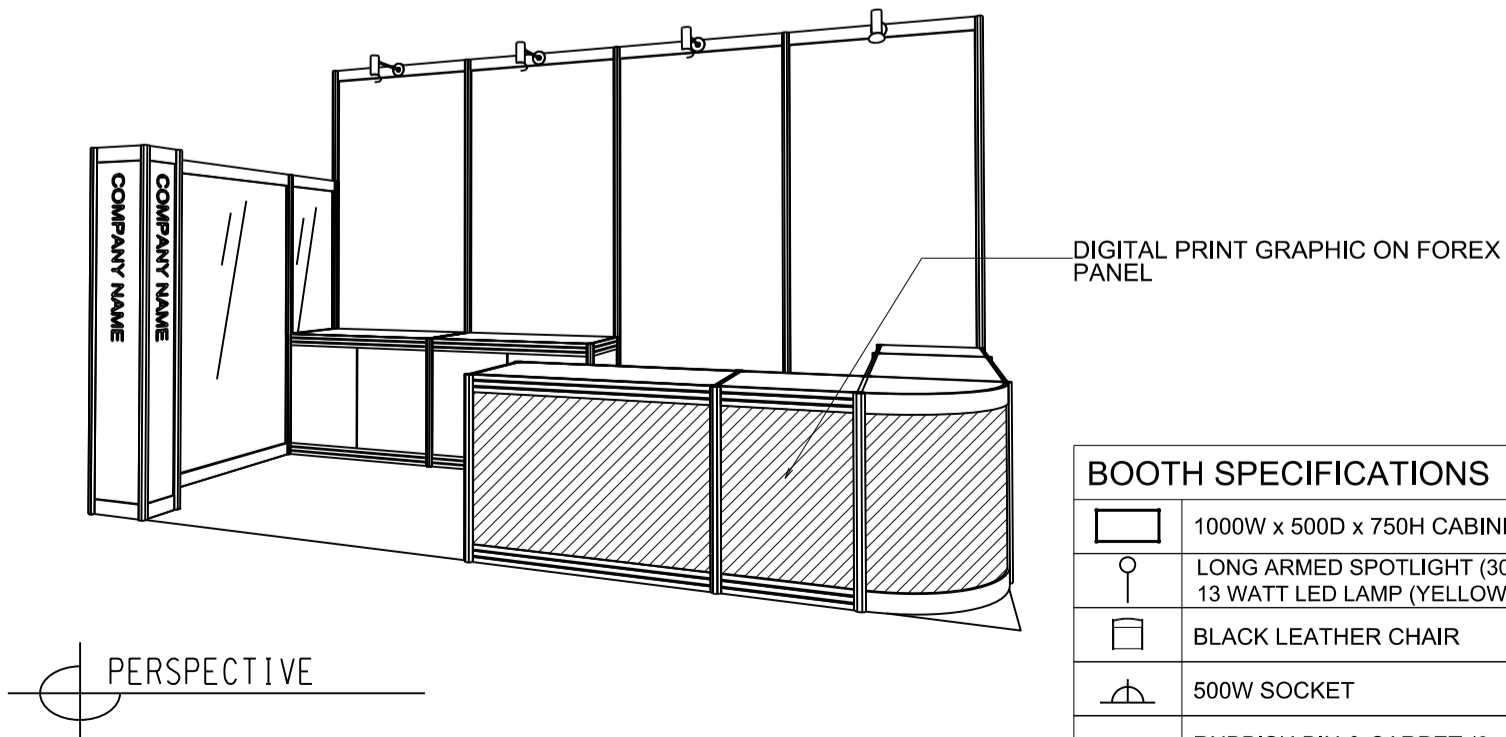
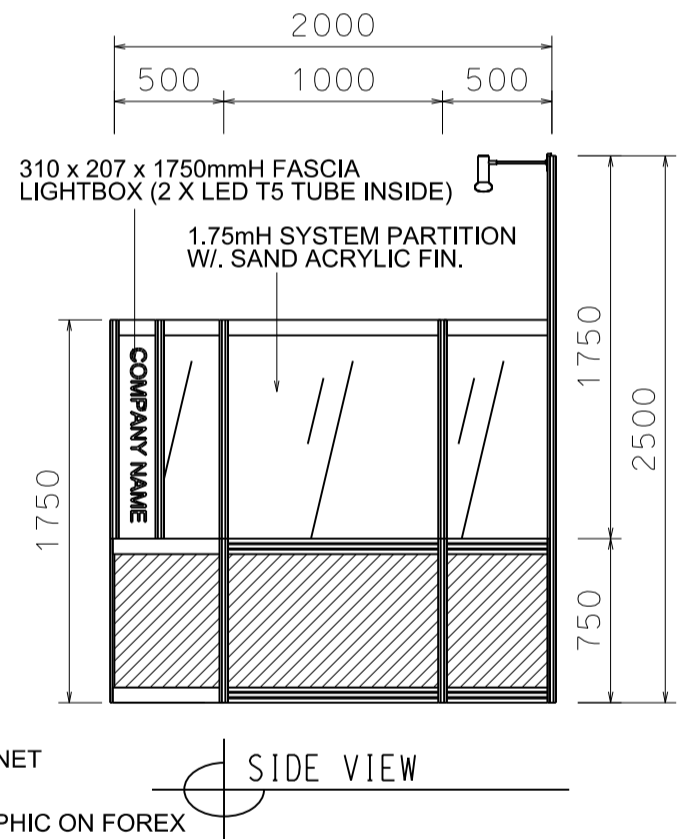
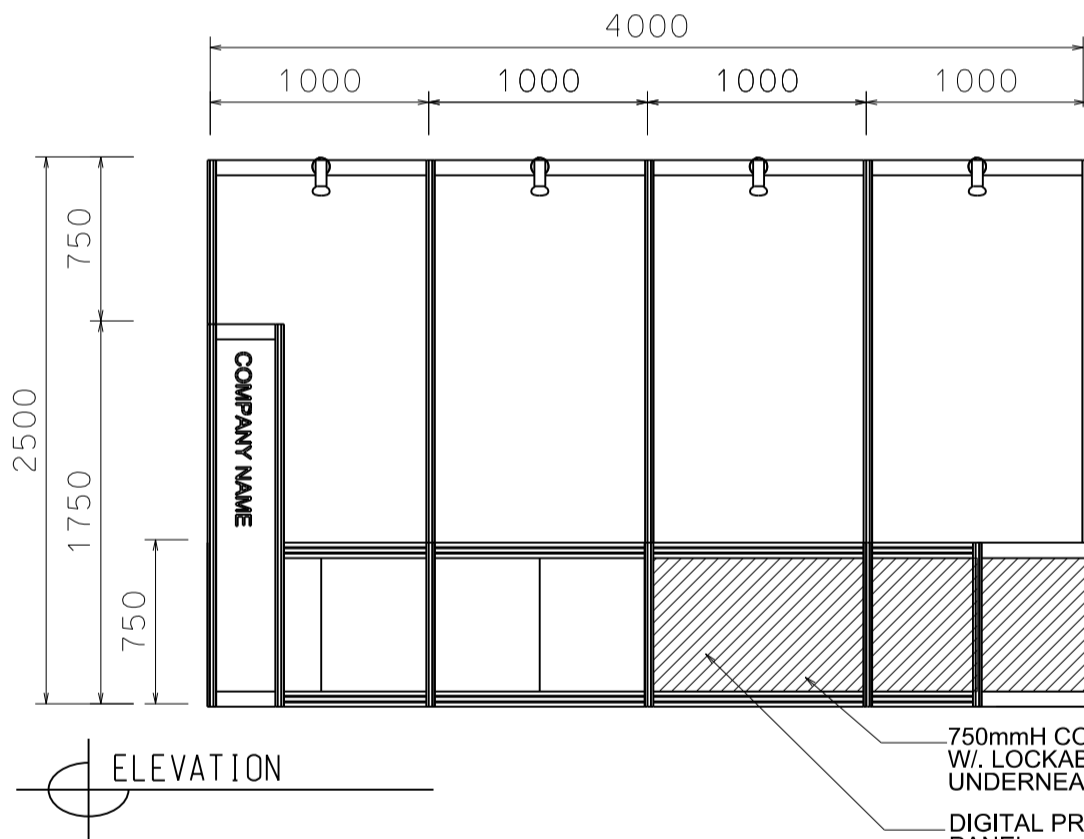
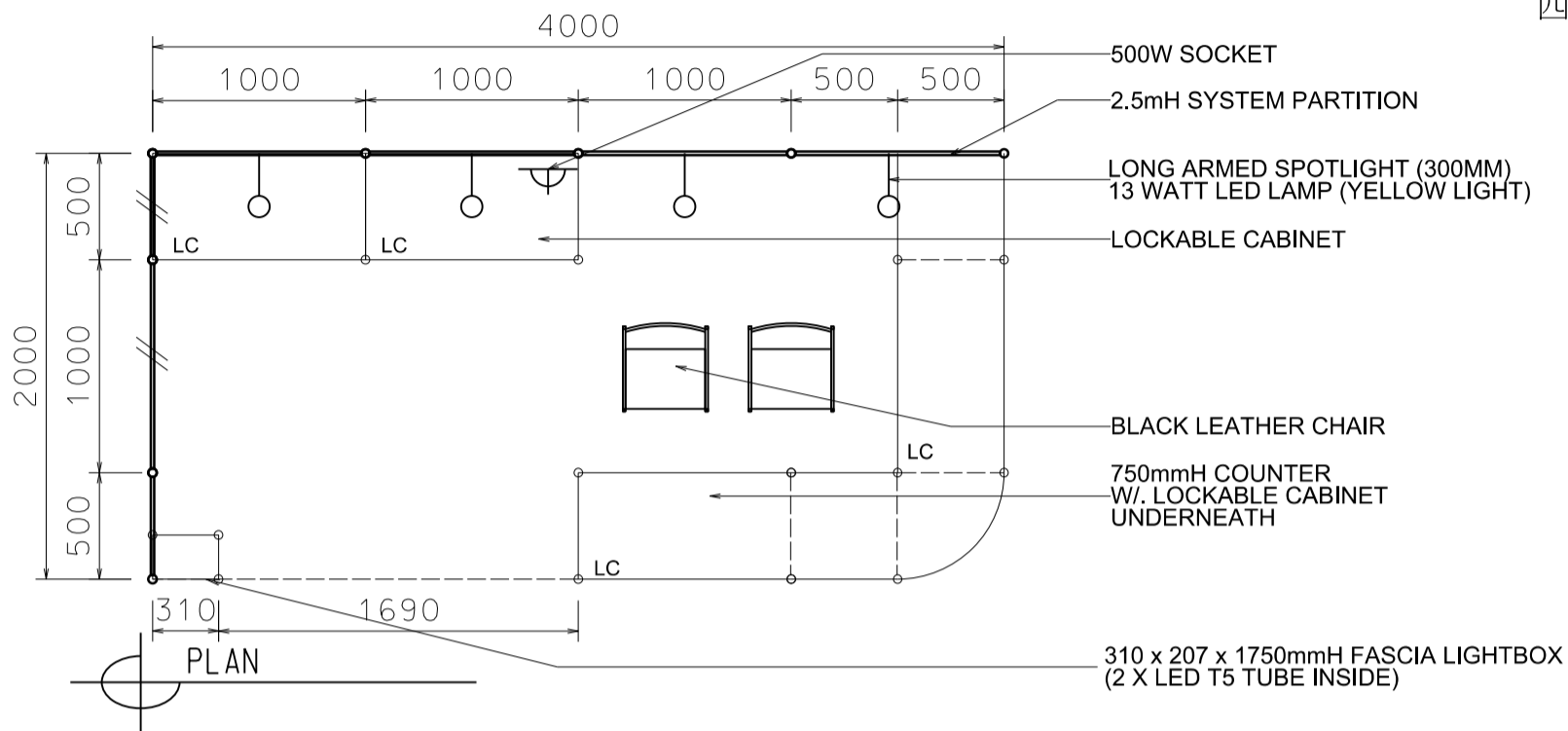
BOOTH SPECIFICATIONS		QTY.
	1000W x 500D x 750H CABINET	5.5
	LONG ARMED SPOTLIGHT (300MM) 13 WATT LED LAMP (YELLOW LIGHT)	4
	BLACK LEATHER CHAIR	2
	500W SOCKET	1
	RUBBISH BIN & CARPET (8sqm.)	

\*The Hong Kong Trade Development Council reserves the right to change the configuration if necessary.

\*如有需要，香港貿易發展局有權更改攤位結構。

### 4M x 2M GOURMET ZONE RIGHT CORNER BOOTH (OPTION A)

四米乘二米右邊角位攤位



BOOTH SPECIFICATIONS		QTY.
	1000W x 500D x 750H CABINET	5.5
	LONG ARMED SPOTLIGHT (300MM) 13 WATT LED LAMP (YELLOW LIGHT)	4
	BLACK LEATHER CHAIR	2
	500W SOCKET	1
RUBBISH BIN & CARPET (8sqm.)		

\*The Hong Kong Trade Development Council reserves the right to change the configuration if necessary.

\*如有需要，香港貿易發展局有權更改攤位結構。