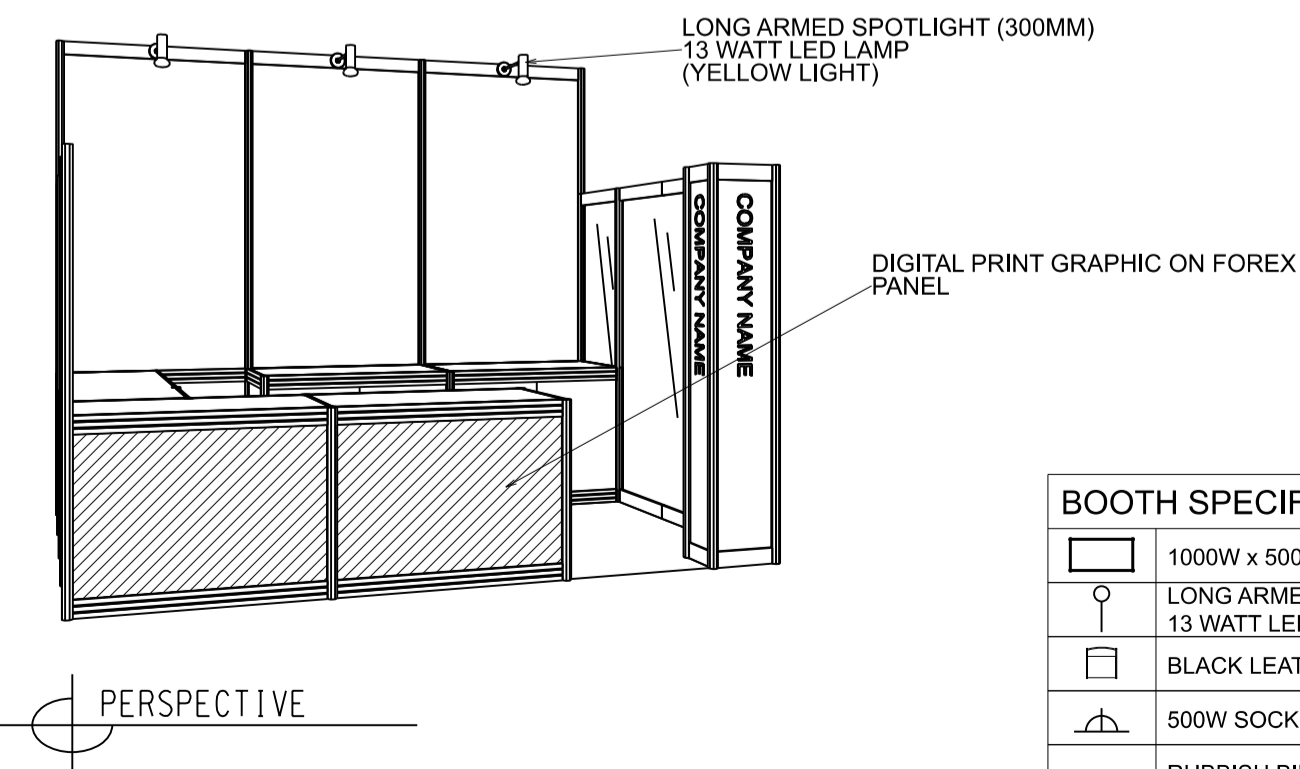
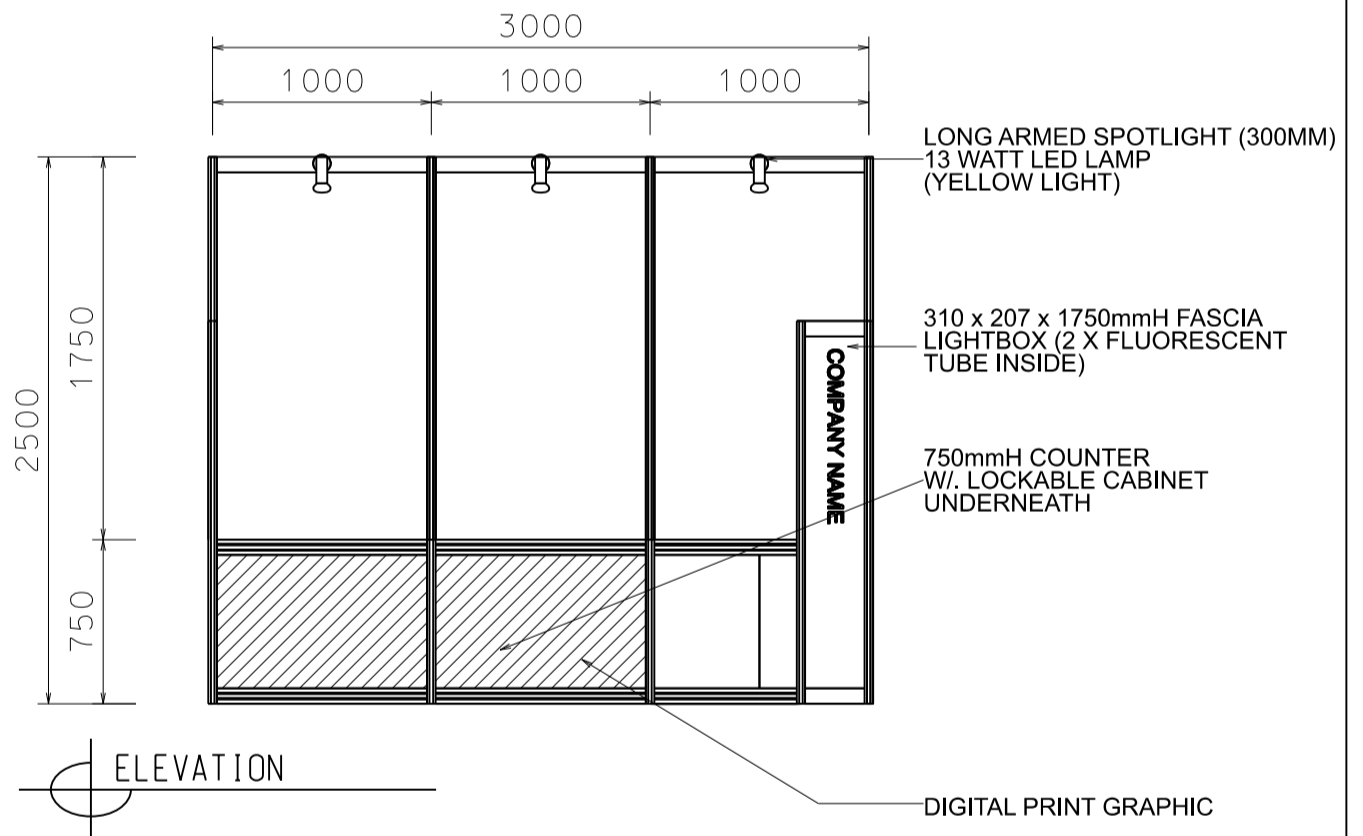
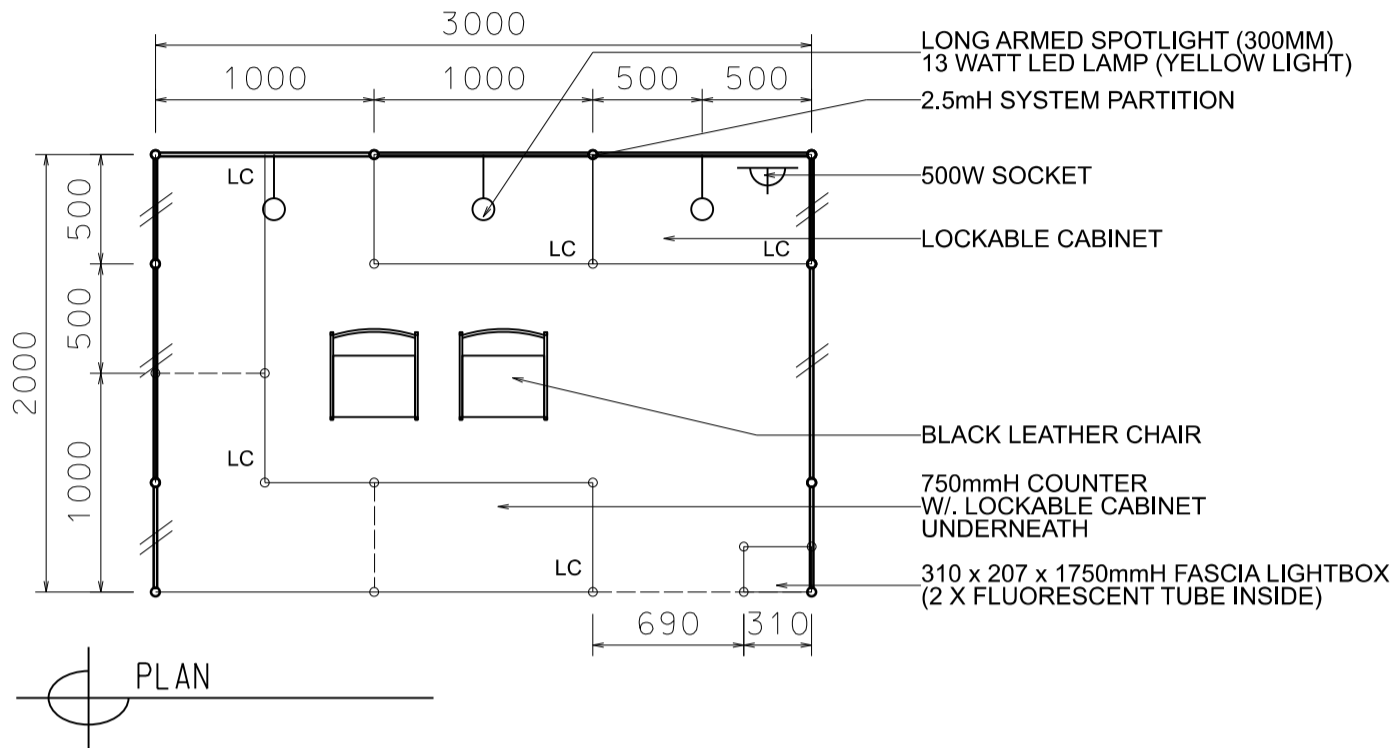


**3M x 2M GOURMET ZONE BOOTH (OPTION A)**

三米乘二米標準攤位



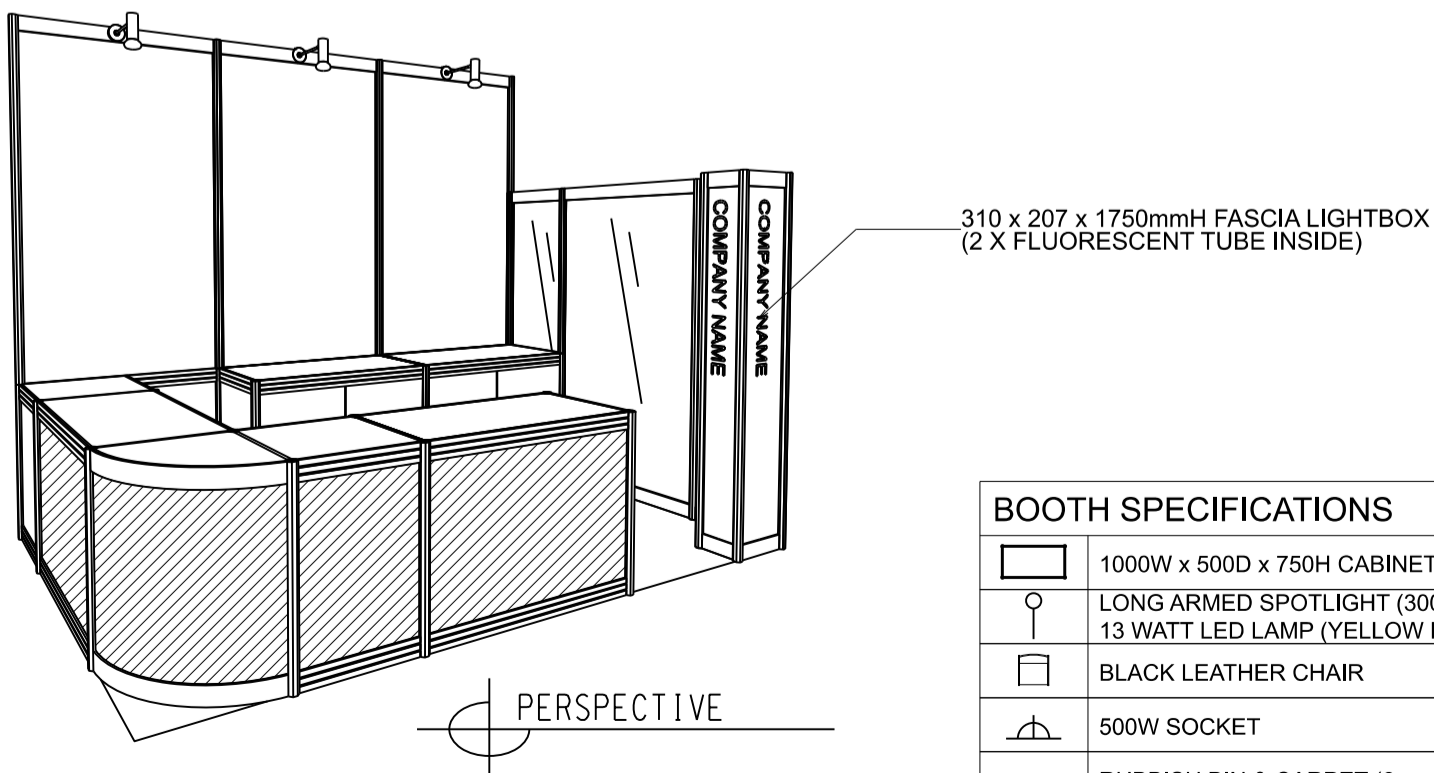
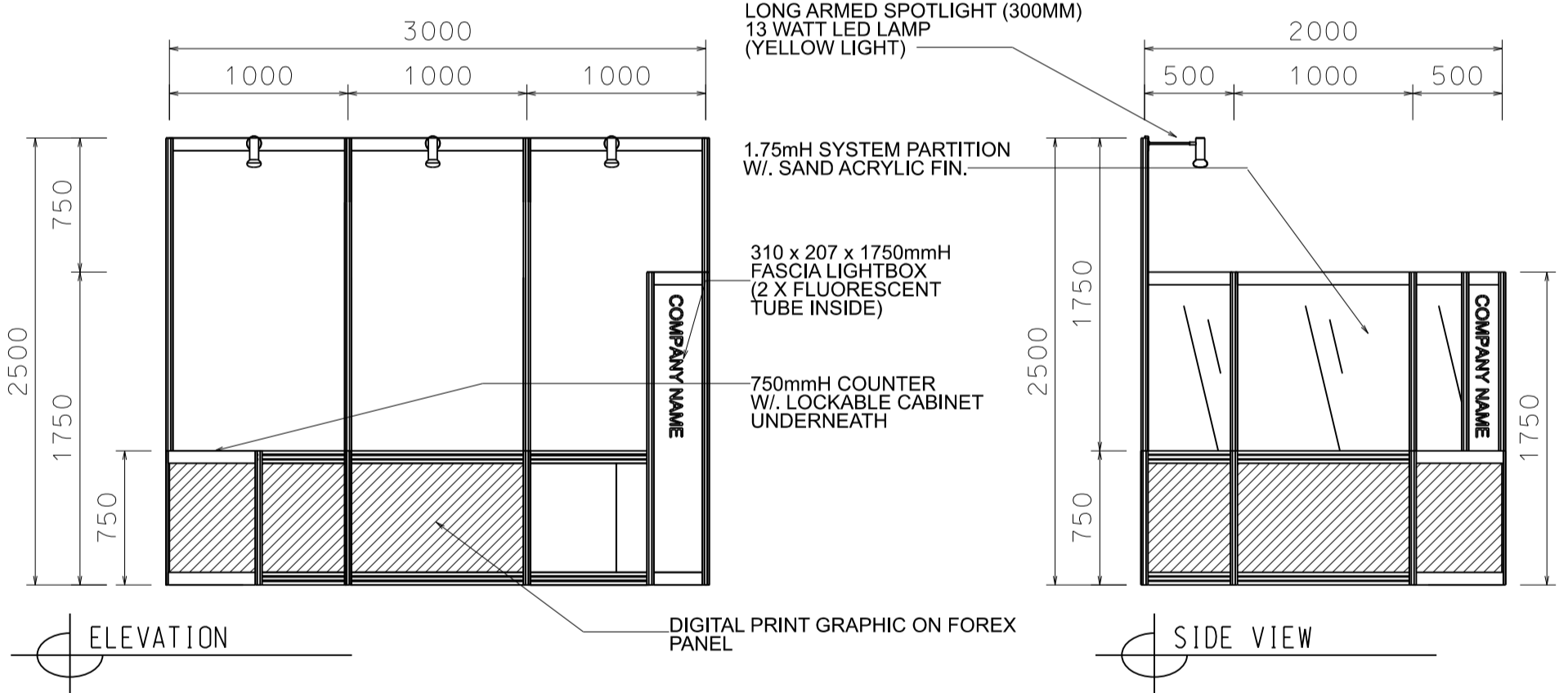
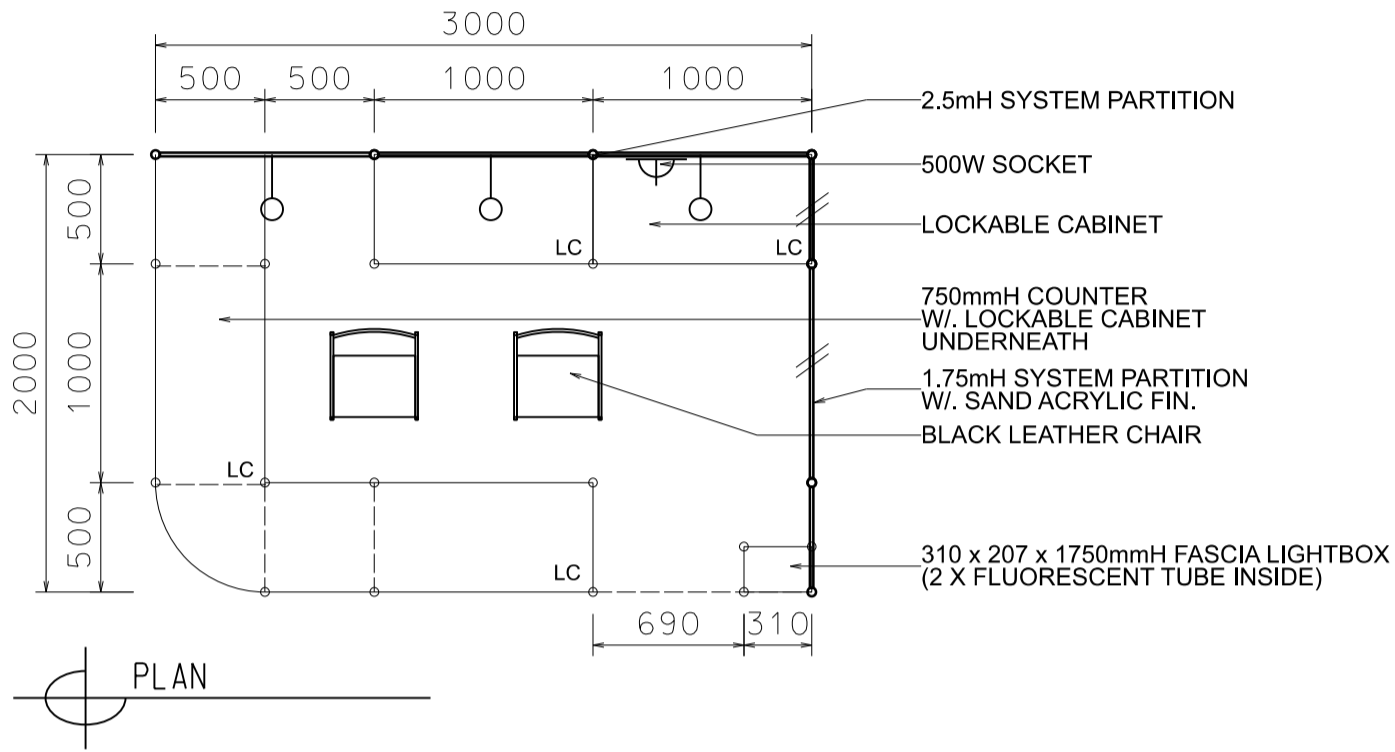
| BOOTH SPECIFICATIONS |  | QTY. |
|----------------------|--|------|
|                      | 1000W x 500D x 750H CABINET                                  | 5.5  |
|                      | LONG ARMED SPOTLIGHT (300MM) 13 WATT LED LAMP (YELLOW LIGHT) | 3    |
|                      | BLACK LEATHER CHAIR  | 2    |
|                      | 500W SOCKET  | 1    |
|                      | RUBBISH BIN & CARPET (6sqm.)                                 |      |

\*The Hong Kong Trade Development Council reserves the right to change the configuration if necessary.

\*如有需要，香港貿易發展局有權更改攤位結構。

**3M x 2M GOURMET ZONE LEFT CORNER BOOTH (OPTION A)**

三米乘二米左邊角位攤位



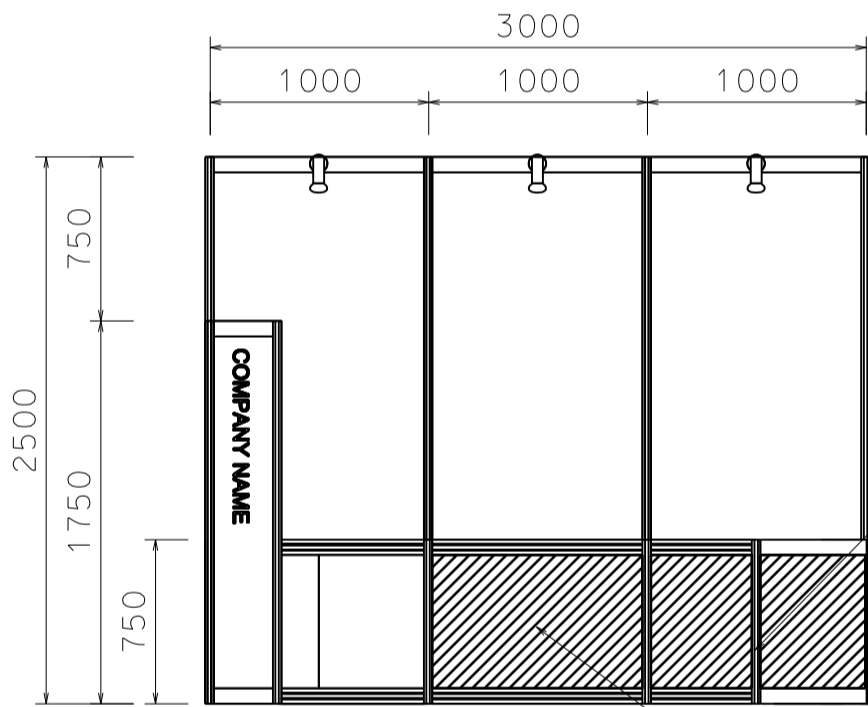
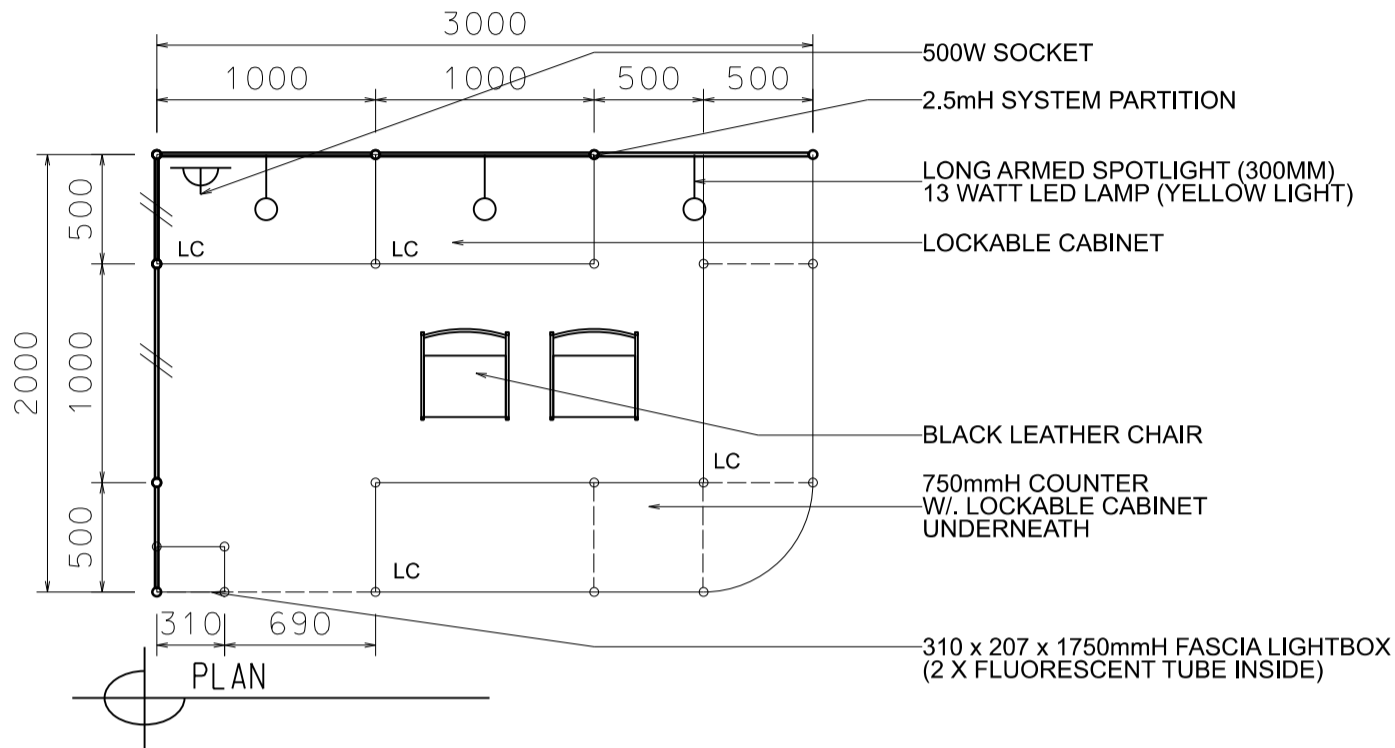
| BOOTH SPECIFICATIONS |  | QTY. |
|----------------------|--|------|
|                      | 1000W x 500D x 750H CABINET                                  | 5.5  |
|                      | LONG ARMED SPOTLIGHT (300MM) 13 WATT LED LAMP (YELLOW LIGHT) | 3    |
|                      | BLACK LEATHER CHAIR  | 2    |
|                      | 500W SOCKET  | 1    |
|                      | RUBBISH BIN & CARPET (6sqm.)                                 |      |

\*The Hong Kong Trade Development Council reserves the right to change the configuration if necessary.

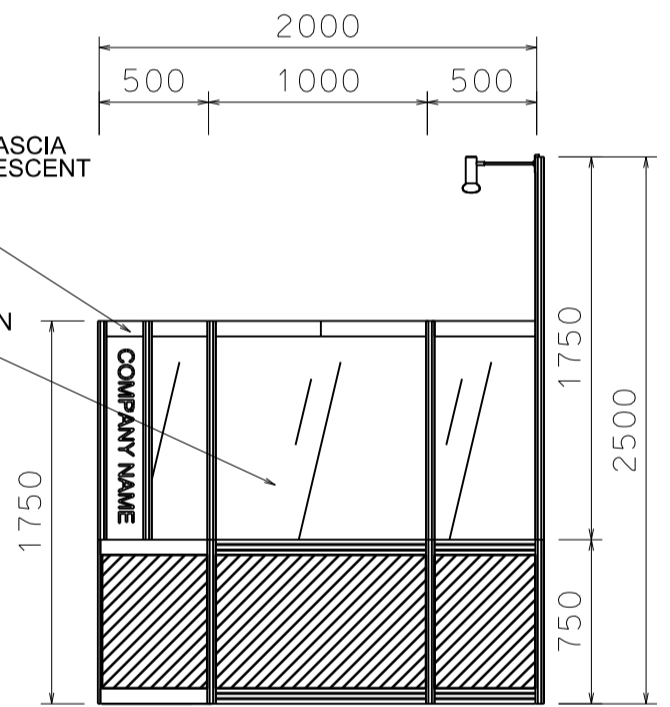
\*如有需要，香港貿易發展局有權更改攤位結構。

**3M x 2M GOURMET ZONE RIGHT CORNER BOOTH (OPTION A)**

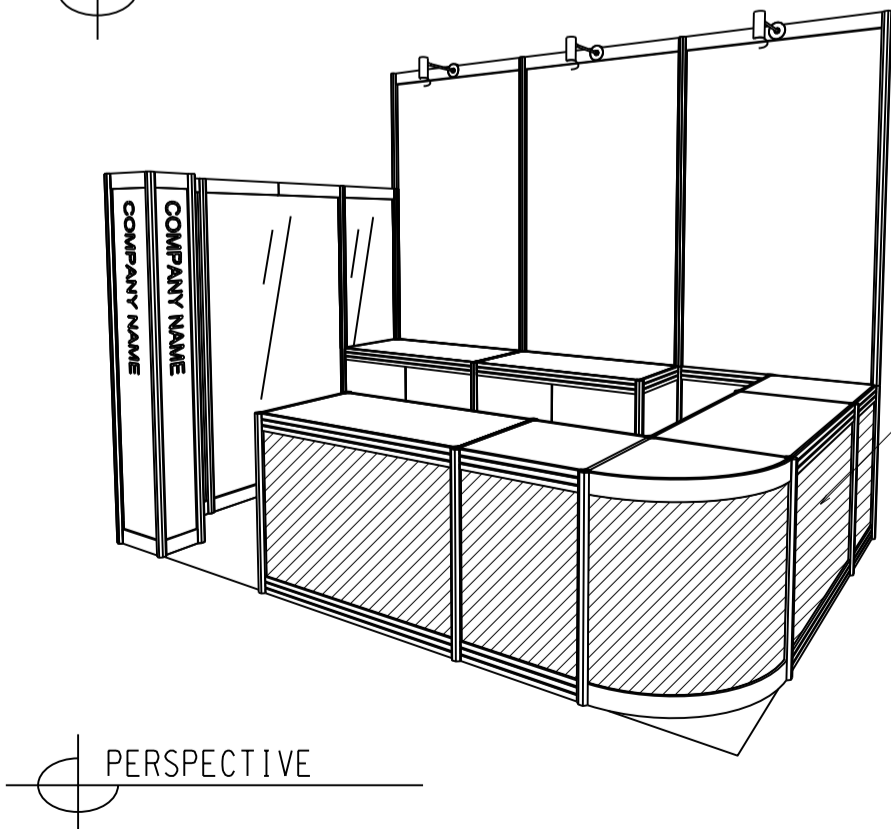
三米乘二米右邊角位攤位



DIGITAL PRINT GRAPHIC ON FOREX PANEL



DIGITAL PRINT GRAPHIC ON FOREX PANEL



| BOOTH SPECIFICATIONS |  | QTY. |
|----------------------|--|------|
|                      | 1000W x 500D x 750H CABINET                                  | 5.5  |
|                      | LONG ARMED SPOTLIGHT (300MM) 13 WATT LED LAMP (YELLOW LIGHT) | 3    |
|                      | BLACK LEATHER CHAIR  | 2    |
|                      | 500W SOCKET  | 1    |
|                      | RUBBISH BIN & CARPET (6sqm.)                                 |      |

\*The Hong Kong Trade Development Council reserves the right to change the configuration if necessary.

\*如有需要，香港貿易發展局有權更改攤位結構。