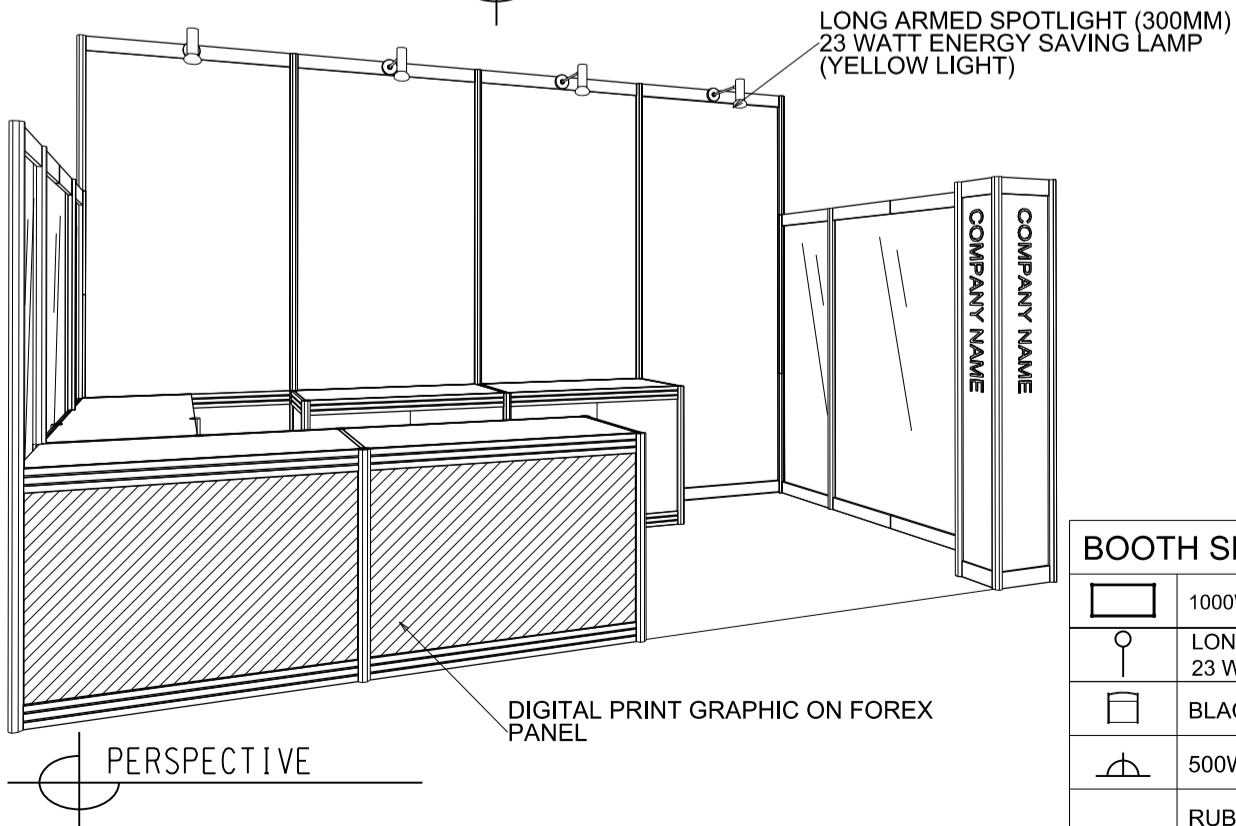
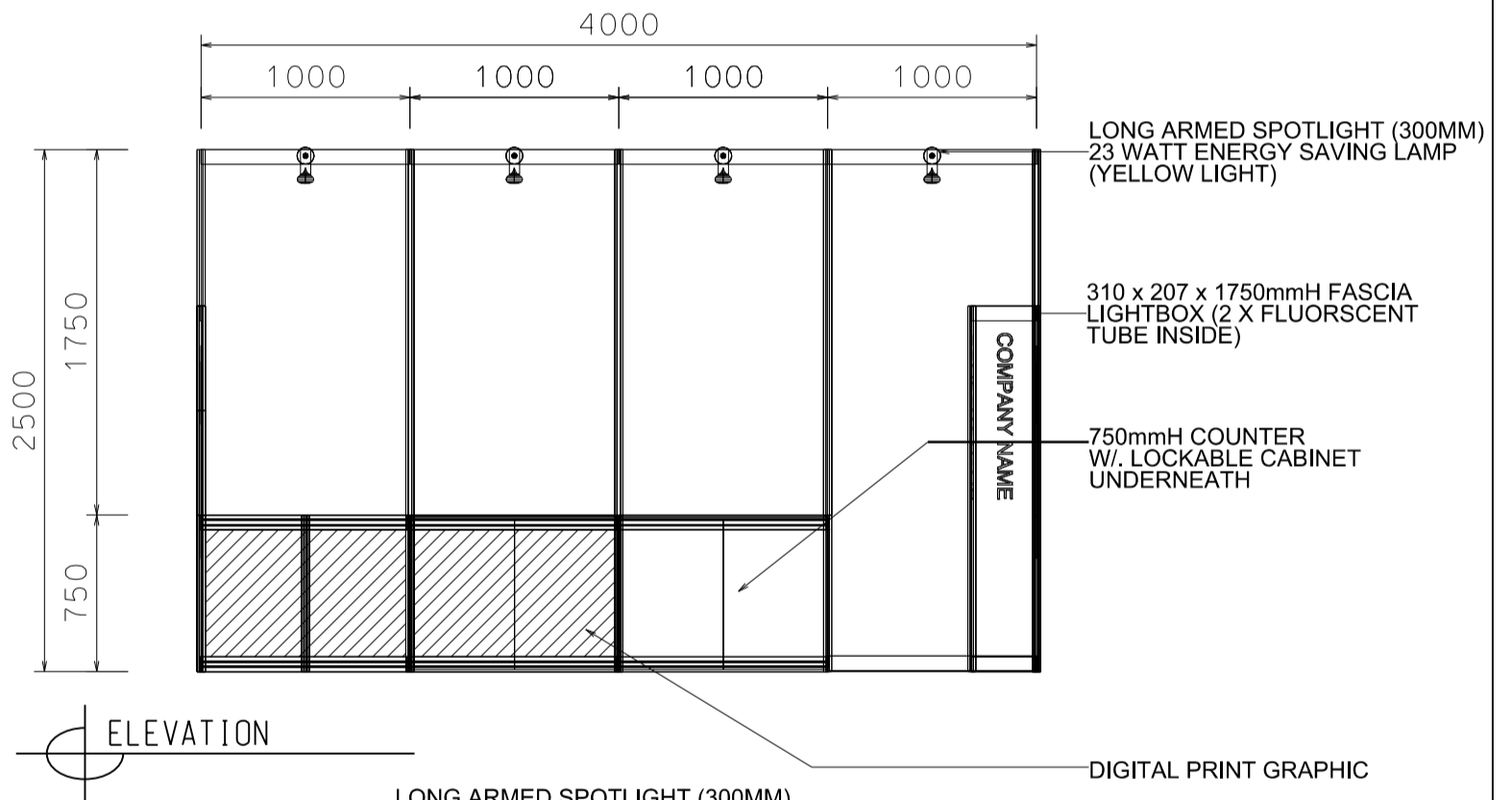
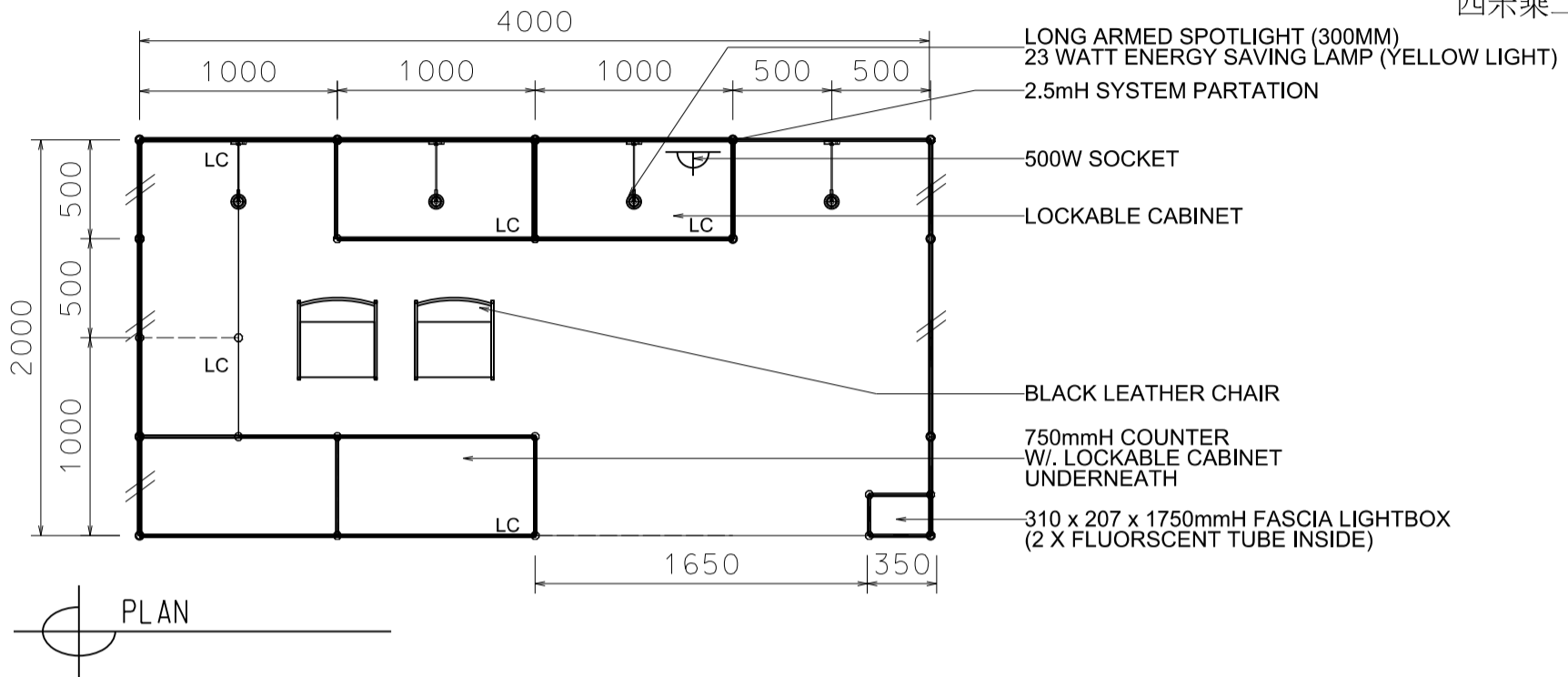


**4M x 2M GOURMET ZONE BOOTH (OPTION A)**

四米乘二米標準攤位

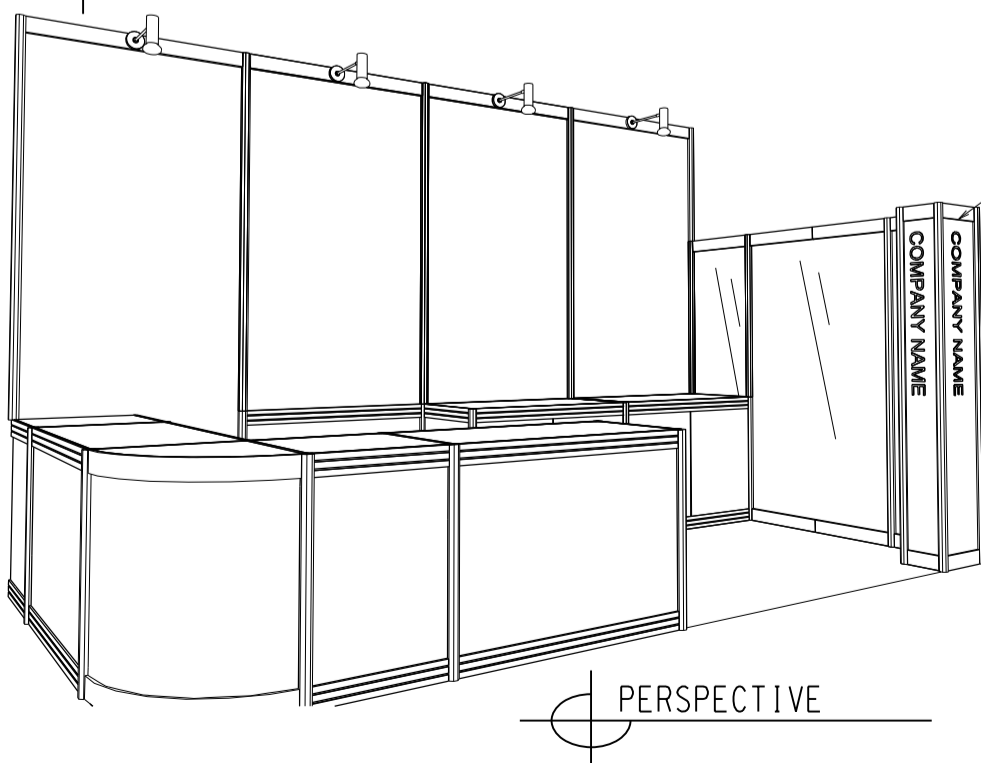
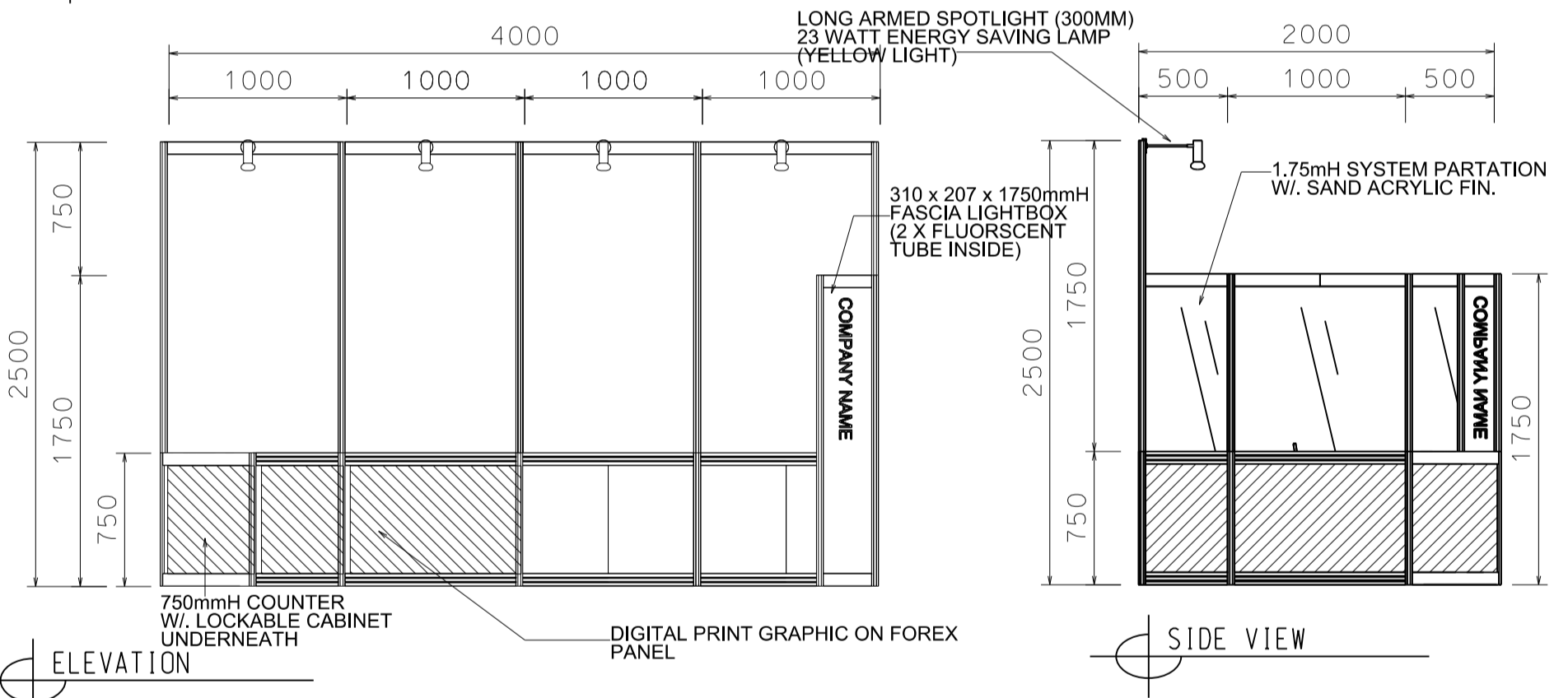
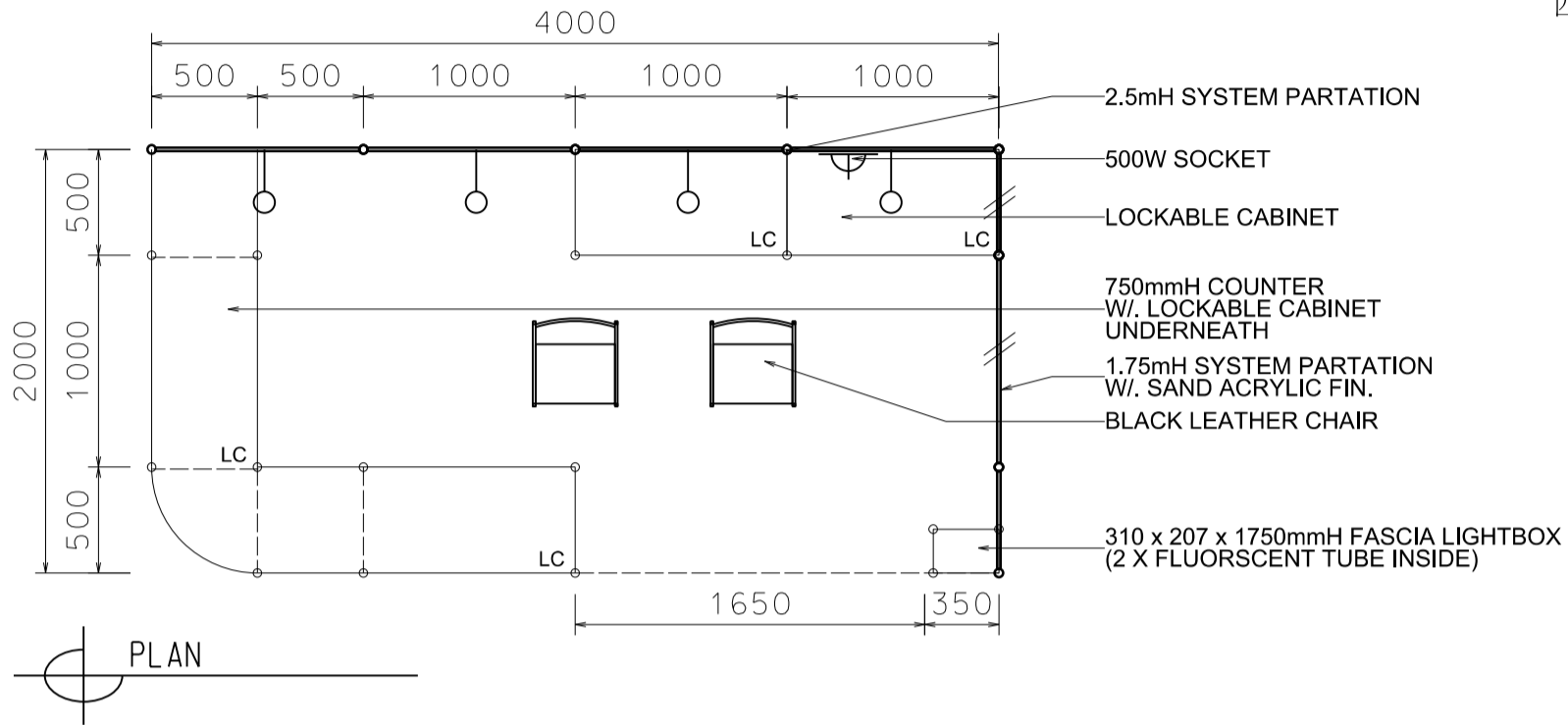


BOOTH SPECIFICATIONS		QTY.
	1000W x 500D x 750H CABINET	5.5
	LONG ARMED SPOTLIGHT (300MM) 23 WATT ENERGY SAVING LAMP (YELLOW LIGHT)	4
	BLACK LEATHER CHAIR	2
	500W SOCKET	1
	RUBBISH BIN & CARPET (8sqm.)	

\*The Hong Kong Trade Development Council reserves the right to change the configuration if necessary.

**4M x 2M GOURMET ZONE LEFT CORNER BOOTH (OPTION A)**

四米乘二米角位攤位

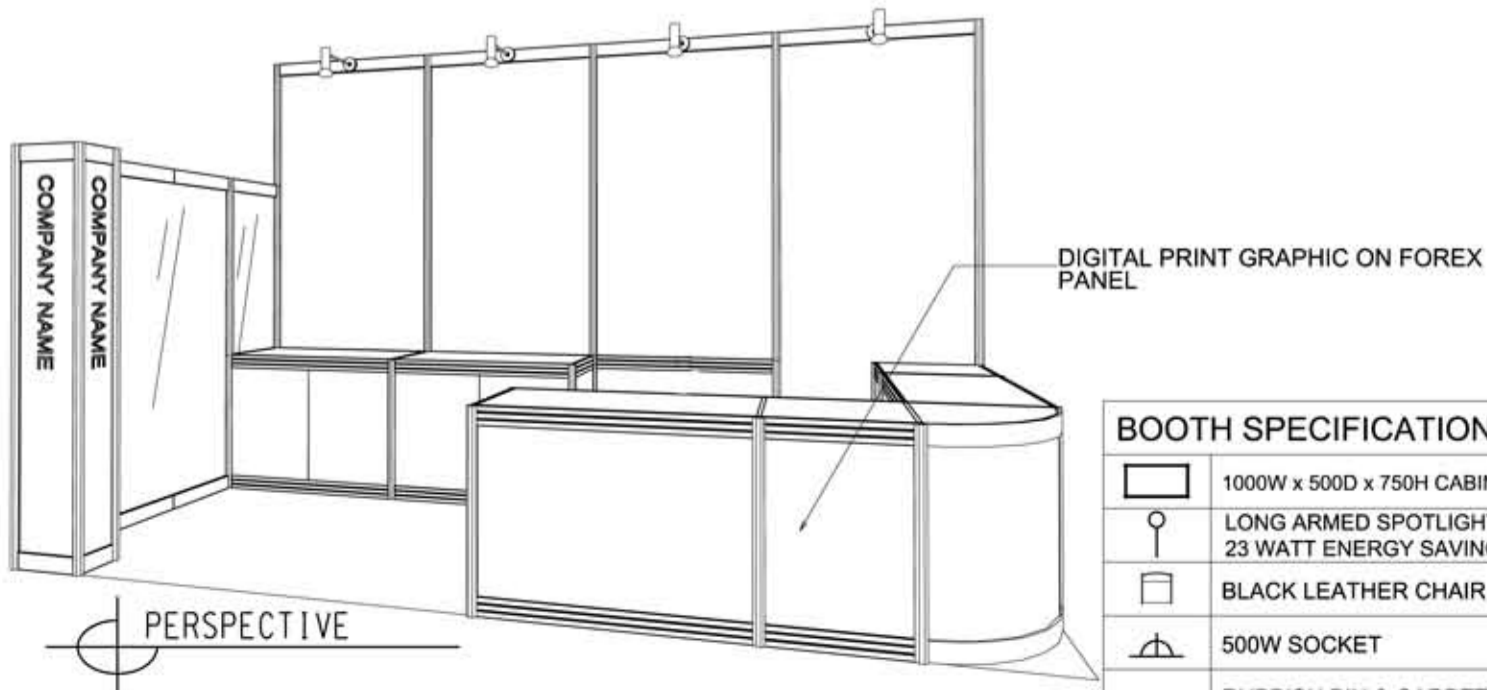
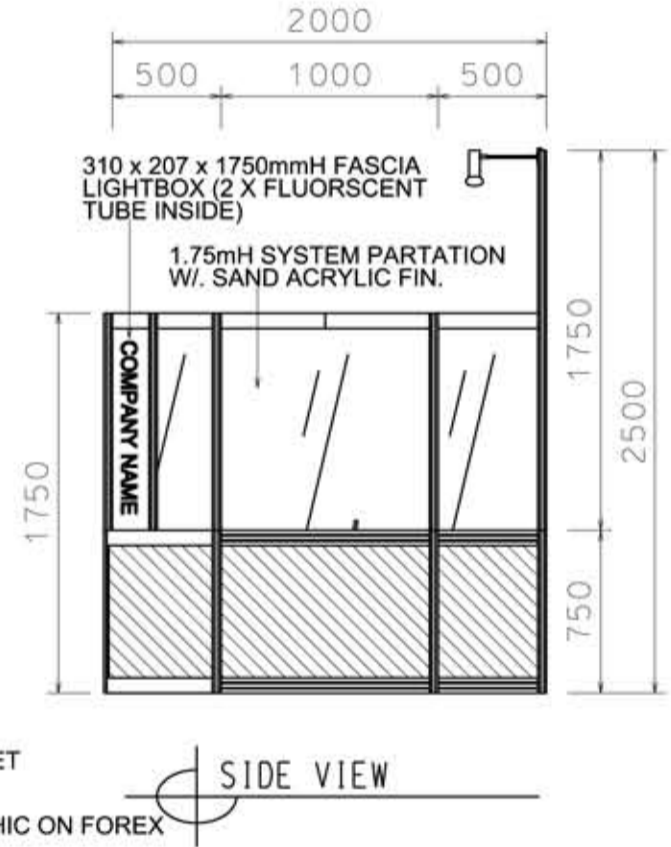
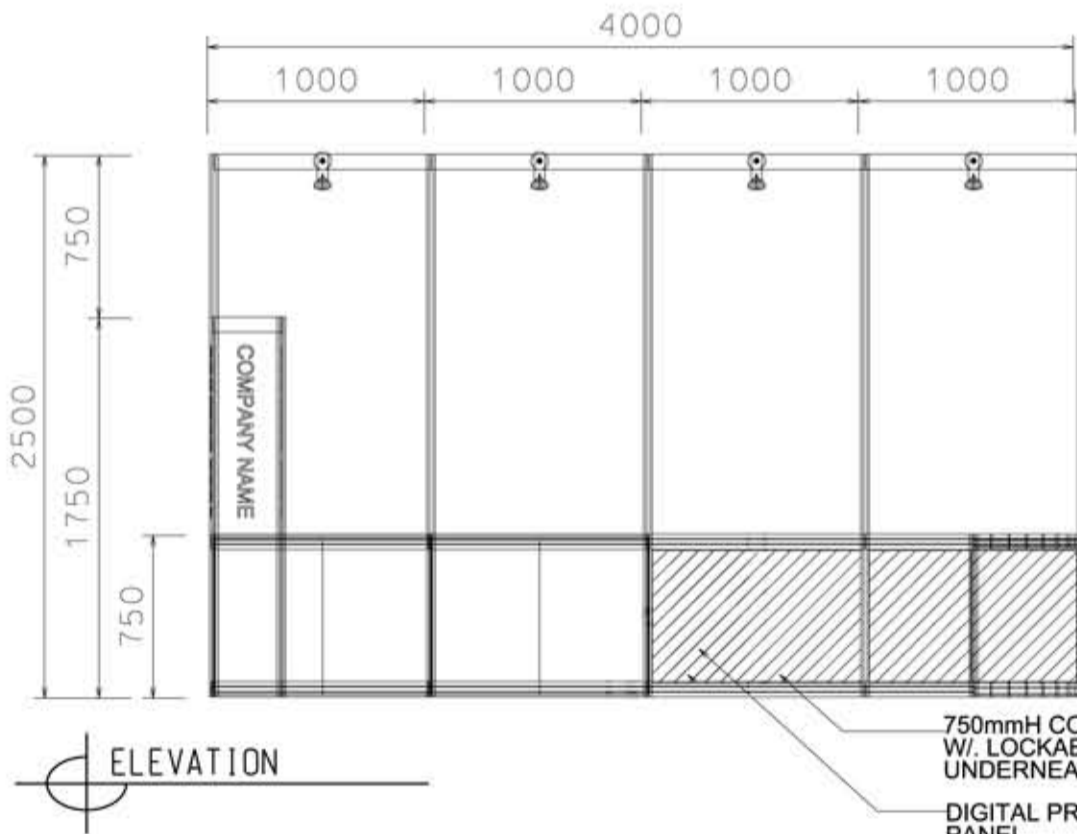
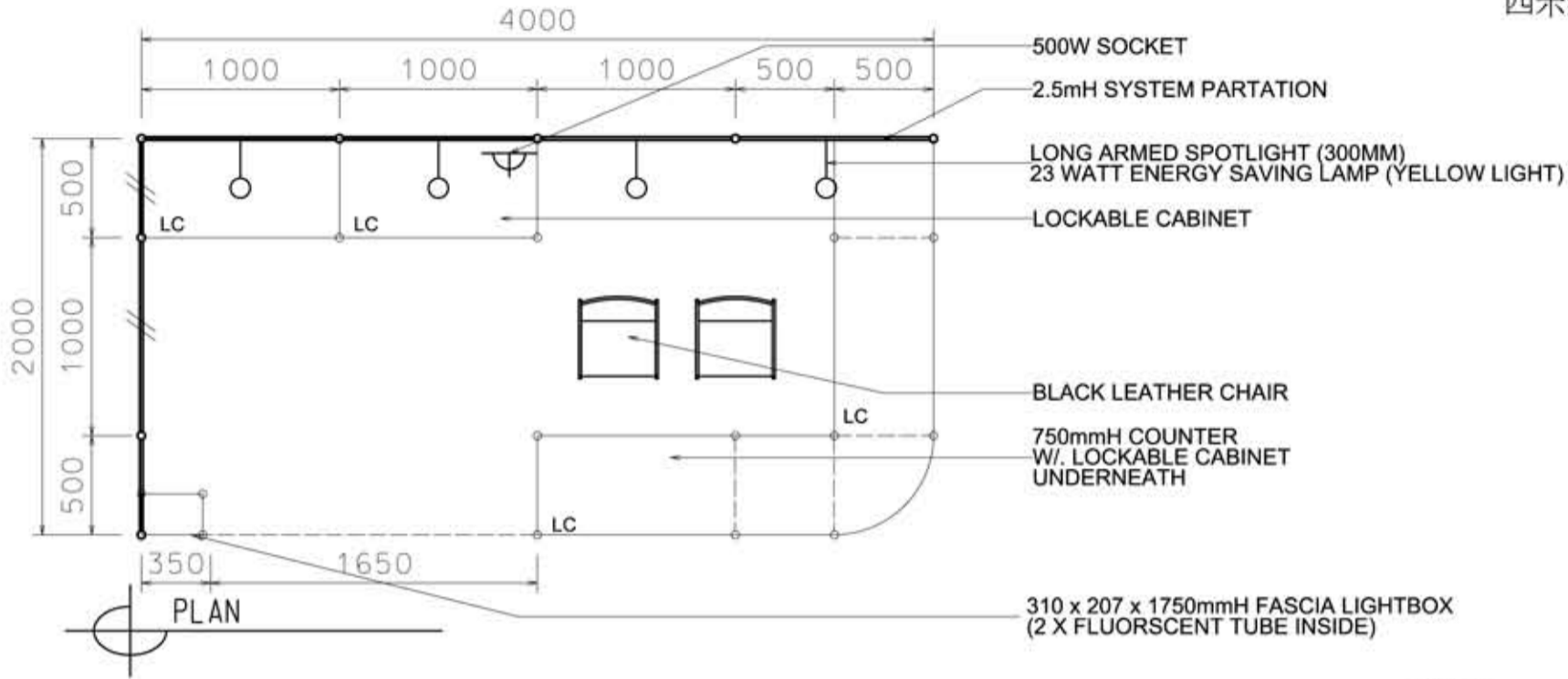


BOOTH SPECIFICATIONS		QTY.
	1000W x 500D x 750H CABINET	5.5
	LONG ARMED SPOTLIGHT (300MM) 23 WATT ENERGY SAVING LAMP (YELLOW LIGHT)	4
	BLACK LEATHER CHAIR	2
	500W SOCKET	1
	RUBBISH BIN & CARPET (8sqm.)	

\*The Hong Kong Trade Development Council reserves the right to change the configuration if necessary.

**4M x 2M GOURMET ZONE RIGHT CORNER BOOTH (OPTION A)**

四米乘二米角位攤位



BOOTH SPECIFICATIONS		QTY.
	1000W x 500D x 750H CABINET	5.5
	LONG ARMED SPOTLIGHT (300MM) 23 WATT ENERGY SAVING LAMP (YELLOW LIGHT)	4
	BLACK LEATHER CHAIR	2
	500W SOCKET	1
	RUBBISH BIN & CARPET (8sqm.)	

\*The Hong Kong Trade Development Council reserves the right to change the configuration if necessary.